



**Whitehall  
 Free-Standing  
 Bedside Patient  
 Care Unit with  
 Built-In Seat  
 (formerly referred to  
 as Swivette)**

Includes Models  
**4030BIS, 4032BIS, 4035BIS**



4030BIS-CSG-FIB

Fixture May Show Some Available Options

**Cabinet** interior surfaces are stainless steel. Interior has a removable stainless steel floor to conceal frame anchors. Specify cabinet material and color selection.

**Counter** has a 3" backsplash and a bullnose front edge. Built-in seat is an integral part of the countertop. Specify countertop material and color selection.

**Lavatory** is always located on the opposite side of the toilet.

**Toilet** is stainless steel, siphon jet type with white plastic seat and self-sustaining check hinge. Door linkage swivels the toilet into the room when cabinet door is opened. The toilet is locked in place when open and must be unlatched to close.

**Hydraulic Flush Valve** is furnished standard with a 1-3/4" diameter, hydraulically actuated, remote pushbutton. Minimum required flow pressure is 25 PSI with a minimum water consumption of 1.28 GPF.

**Swivel Assembly** is cast iron with a sanitary white powder coat finish, and has a positive watertight, chemical-resistant seal. Swivel assembly requires floor anchoring (hardware provided). **Toilets will withstand a 2,500 pound static vertical load.**

**Floor Anchors** are seismic rated for CBC category IV structures.

**Metal Template** is provided for ease of installation.

**GUIDE SPECIFICATION**

Provide and install Whitehall Free-Standing Bedside Patient Care Unit (specify model number and options). Cabinet frame shall be heliarc welded, type 304 stainless steel, and shall not require wall support. Door on toilet side shall be linked to toilet, so that when door is opened or closed, the toilet will swivel accordingly. Door on lavatory side shall be provided with a toilet paper holder. Doors shall support a 250 pound static, vertical load. Front panel shall hinge open for access to valves and piping. Storage compartment shall be provided above the toilet. Cabinet shall provide front toe space. Lavy P-trap shall be furnished. Toilet shall be stainless steel, elongated, siphon jet type, and shall flush in any position along the arc of movement. Trap shall pass a 2-1/8" ball. Toilet shall withstand loadings of 2,500 pounds without permanent damage. Toilet seat shall have self-sustaining check hinge.

Please visit [www.whitehallmfg.com](http://www.whitehallmfg.com) for most current specifications.



Member of U.S. Green Building Council



Recyclable Product



Water Conserving Product

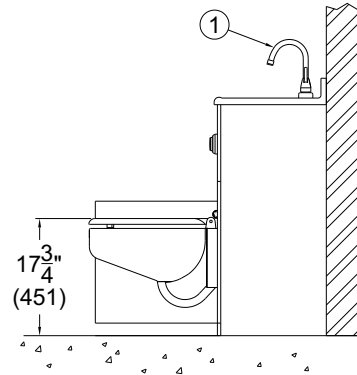
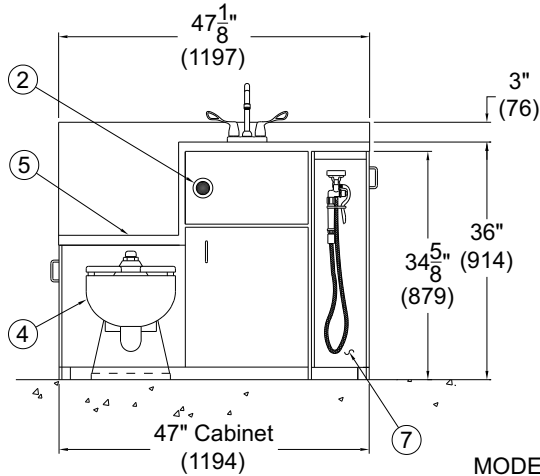
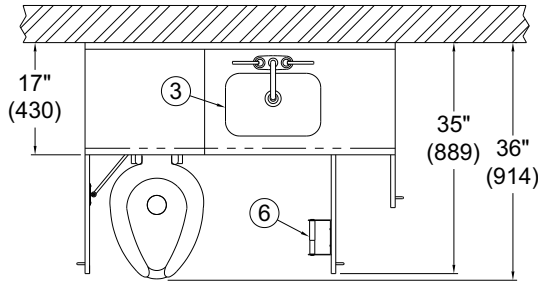
Complies with the following standards:



Federal Public Law 111-380 (No Lead)



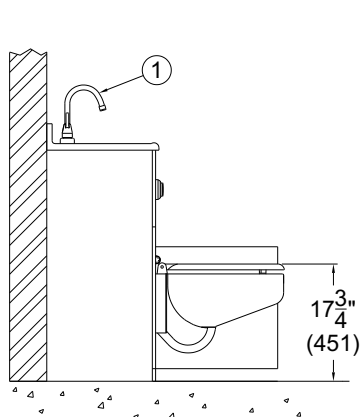
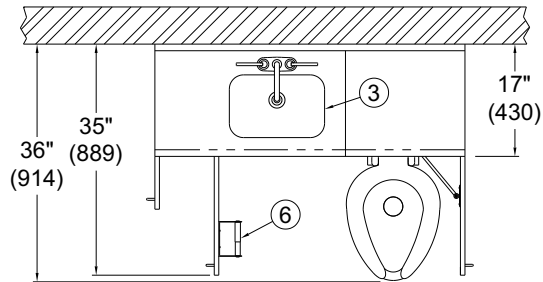
IAQMO



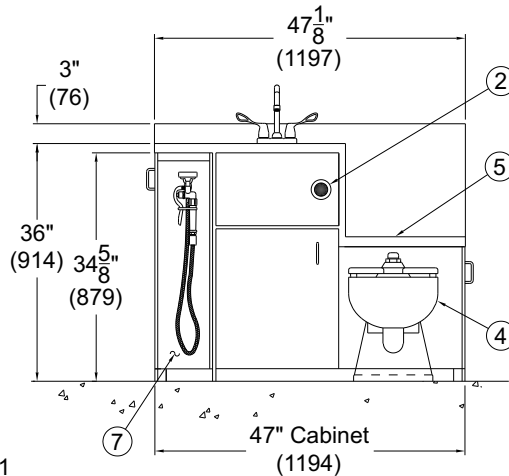
MODEL# 4030BIS-L-1

**NOTES:**

1. Lavatory Gooseneck Faucet
2. Flush Valve Pushbutton
3. Stainless Steel Lavatory
4. Stainless Steel Toilet
5. Built-In Seat
6. Toilet Tissue Holder
7. Bedpan Washer Compartment



MODEL# 4030BIS-R-1



All dimensions are nominal and subject to manufacturer's change without notice. Whitehall assumes no responsibility for use of void or suspended data © Whitehall Manufacturing, Member of Morris Group International. Please visit [www.whitehallmfg.com](http://www.whitehallmfg.com) for most current specifications.



**MODEL NUMBER AND OPTIONS SELECTION**

**BASE MODEL NUMBER (Must Specify)**

- 4030BIS Free-Standing, Back Wall Waste Outlet
- 4032BIS Free-Standing, Side Wall Waste Outlet
- 4035BIS Free-Standing, Floor Waste Outlet

**Note:** Side wall outlet is only available on the toilet side of fixture.

**TOILET ORIENTATION (Must Specify)**

- L Left Hand Toilet     -R Right Hand Toilet

**Notes:** L (Left) or R (Right) indicates toilet location in opened position when facing the fixture. Lavy (Basin) is always located on side opposite the toilet.

**BACKSPLASH/CABINET ORIENTATION (Must Specify)**

- 1 Back Wall Only (One Wall)
- 2 Right Hand Corner (Two Wall)
- 3 Left Hand Corner (Two Wall)
- 4 Alcove (Three Wall)

**FLUSH VALVE SELECTION (Must Specify)**

- HET - 1.28 GPF
- ULF - 1.6 GPF (Standard)
- 3.5 GPF

**FAUCET SELECTION (Must Specify)**

- CSG Centerset Gooseneck Spout w/ Wristblade Handles
- SO Sensor Operated Valve
- SO-BAT Sensor Operated Valve-Battery Powered
- VF H & C Foot Pedal Operated Air-Control Valve
- LFN Laminar Flow Nozzle
- LS Lavatory Hose Spray (Not Available w/ -SO)

**LAVY (BASIN) OPTION**

- FIB Factory Installed Stainless Steel Basin

**TOILET PAPER OPTION**

- EP Exposed Paper Holder
- PHE Enclosed Paper Holder (Not Available w/ Stainless Steel or Corian® Basin)

**COUNTERTOP COLOR SELECTION (Must Specify)**

- CCL Corterra® Solid Surface Countertop w/ Integral Backsplash & Lavy (Basin)
- Ip**  -CCT Corterra® Solid Surface Countertop w/ Integral Backsplash
  - AMA SteriTouch® Anti-Microbial Additive
- Ip**  OCC01A Smokey Granite     OCC07A Imperial Jade
- OCC02A Iverstone     OCC08A Midnight Sapphire
- OCC03A Sahara     OCC09A Obsidian
- OCC05A Sunset Stone     OCC10A Antique Lace
- OCC06 Peppercorn
- \*  -CNCT Corian® Countertop
- \*  -CNCTL Corian® Countertop w/ Integral Contrasting Colored Lavy Bowl (Basin)
- CS Stainless Steel Countertop w/ Integral Backsplash & Lavy (Basin)
- OCR Cast Translucent Resin Countertop w/ Integral Backsplash and Solid surface Lavy Bowl (Basin)
  - RDC01 Cloud Nine     RDC07 Wineberry
  - RDC02 Stealth Fog     RDC08 Green Tea
  - RDC03 Yokan     RDC09 Green Apple
  - RDC04 Oceana     RDC10 Blanco
  - RDC05 Skye     RDC11 Tangerine Dream
  - RDC06 Cranjuice     RDC12 Blueberry
- LCT Less Countertop
- LTC High Pressure Laminate  
Specify Laminate Manufacturer  
Color: \_\_\_\_\_

**CABINET COLOR SELECTION (Must Specify)**

- Ip**  -OCP Color Polyethylene Panels
  - OCP-01 White     OCP-05 Light Gray
  - OCP-02 Arctic Foam     OCP-06 Dolphin Gray
  - OCP-03 Seafoam     OCP-07 Sanshade
- LCC High Pressure Laminate  
Specify Laminate Manufacturer  
Color: \_\_\_\_\_

**TOILET OPTIONS**

- BL Bedpan Lugs
- Ip**  -FCI Infectious Control Flush
- WO3B 3" Bell Waste Outlet w/ 2-3/8" P-Trap

**PRODUCT OPTIONS**

- BWD Bedpan Washer Drain
- CSP Cushioned Seat Padded
- EC Extended Countertop
- EG Enviro-Glaze (Powder Coat):  
Specify Color: \_\_\_\_\_
- Lavy (Basin)     Cabinet Interior
- Toilet Exterior Only
- SUG Swing Up Grab Bar

**Ip** Infection Prevention option

\* Increased lead time and price

All dimensions are nominal and subject to manufacturer's change without notice. Whitehall assumes no responsibility for use of void or suspended data © Whitehall Manufacturing, Member of Morris Group International. Please visit [www.whitehallmfg.com](http://www.whitehallmfg.com) for most current specifications.

**SELECTION SUMMARY & APPROVAL FOR MANUFACTURING**

Model Number & Options \_\_\_\_\_ Quantity \_\_\_\_\_  
 Company \_\_\_\_\_ Date \_\_\_\_\_  
 Contact \_\_\_\_\_ Title \_\_\_\_\_  
 Approval for Manufacturing/Signature \_\_\_\_\_