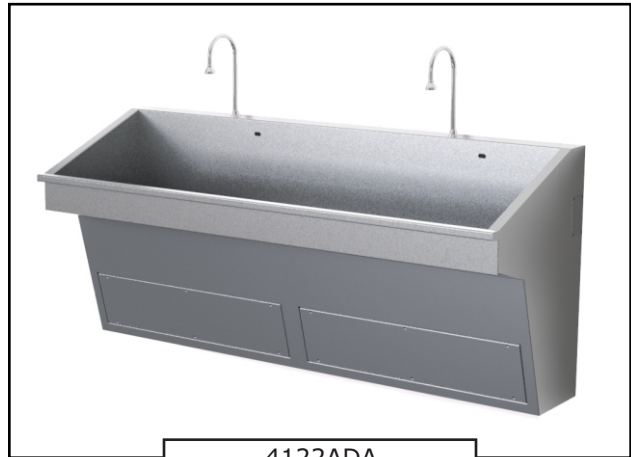




**Whitehall
 Compact Surgical
 Scrub Sink
 ADA Compliant
 Two Station**

Model 4122ADA

Please visit www.whitehallmfg.com
 for most current specifications.



4122ADA

Fixture May Show Some Available Options

Surgical Scrub Sink is designed for use in health care institutions providing surgeons with a convenient sink for pre-op scrub up.

Fixture is fabricated from heavy gage, type 304 stainless steel and is seamless welded construction with a satin finish. The cabinet interior is sound-deadened with a fire-resistant material. The unit is designed to be installed on the wall using a mounting carrier.

Scrub Sink is provided with a front panel which is easily removed for access to the water control valves, waste connections, stops and strainers. Scrub sink has a sloping bottom surface to minimize splashing and a 1-1/2" OD tailpiece with a 3" flat strainer drain.

Backsplash has a gooseneck spout assembly with sprayhead that can be removed for sterilization.

Hands Free Operation includes infrared sensor located on back panel.

T/P Temperature/Pressure Balancing Mixing Valve is located behind the front panel and maintains a constant water temperature with a flow control of 2.5 GPM (1.5 GPM with -LFN Laminar Flow Nozzle option). This easily adjustable, anti-scald valve compensates for inlet temperature fluctuations.

Solenoid Valve is a slow closing, anti-water hammer type.

GUIDE SPECIFICATION

Provide Whitehall ADA Compact Surgical Scrub Sink (specify model number and options). Fixture shall be fabricated from heavy gage, type 304 stainless steel, with seamless welded construction with a satin finish. Cabinet interior shall have a sound deadening, fire-resistant material. Cabinet shall also have removable access panel to allow access to water control valves, waste connections, stops and strainers. Sink shall have a sloping bottom to minimize splashing, and a 1-1/2" OD tailpiece with a 3" flat strainer drain. Gooseneck shall have a removable sprayhead. Fixture shall have a T/P temperature/pressure balancing mixing valve with slow closing, anti-water hammer solenoid valve, infrared sensor and transformer. Transformer must be wired to a GFI protected circuit. Manufacturer shall provide necessary installation instructions.

Please visit www.whitehallmfg.com
 for most current specifications.



Member of
U.S. Green
Building
Council



Recyclable
Product





BASE MODEL NUMBER

- 4122ADA Compact Surgical Scrub Sink (2 Station)

MOUNTING

- MC Mounting Carrier

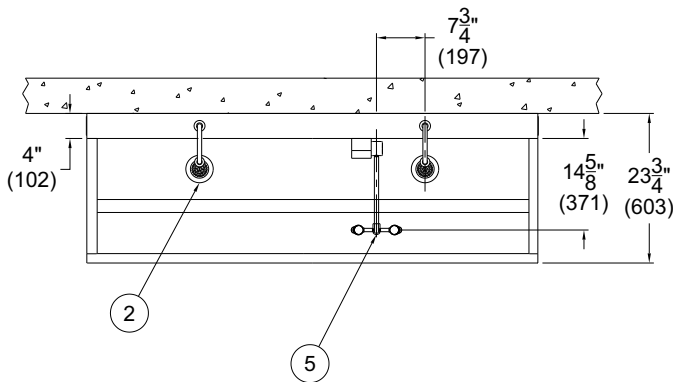
Product Options

- EYW Eyewash
 - LH Station RH Station
- LFN Laminar Flow Nozzle 1.5 GPM
- SA Splash Panel
- SWV Swivel Nozzle on Gooseneck

Accessories

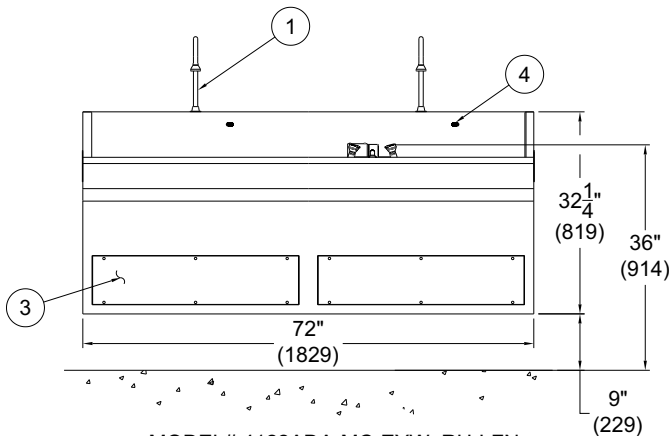
An appropriate Chromomite Instantaneous Tankless Water Heater may be purchased separately to ship with your scrub sink. Contact your sales rep for details or visit www.chromomite.com

Please visit www.whitehallmfg.com for most current specifications.

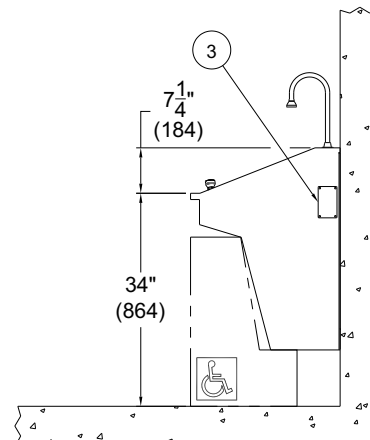


NOTES:

1. Gooseneck Spout Assembly.
2. Flat Strainer Drain.
3. Removable Access Panel.
4. Infrared Sensor.
5. Optional -EYW Eyewash



MODEL# 4122ADA-MC-EYW_RH-LFN



All dimensions are nominal and subject to manufacturer's change without notice. Whitehall assumes no responsibility for use of void or suspended data © Whitehall Manufacturing, Member of Morris Group International. Please visit www.whitehallmfg.com for most current specifications.

SELECTION SUMMARY & APPROVAL FOR MANUFACTURING

Model Number & Options _____ Quantity _____
 Company _____ Date _____
 Contact _____ Title _____
 Approval for Manufacturing/Signature _____