



**Whitehall  
 Infection Prevention  
 Sink**

Model 4150

Please visit [www.whitehallmfg.com](http://www.whitehallmfg.com)  
 for most current specifications.



4150-CSG

Fixture May Show Some Available Options

**Infection Prevention Sink** is intended for general use by medical staff, patients and food handlers. Optional Lead-Free Gooseneck faucet includes Laminar Flow nozzle with an integral 1.5 GPM flow restrictor. Sink is designed to include an angled internal slope to defuse outlet water and minimize splash while hand washing and scrubbing up to elbows. Outside rim is at a minimal width and angled downward to prevent pooling water and discourage placement of objects on rim. Fixture includes an offset drain to prevent water from discharging directly into drain.

**Fixture** is made of Corterra® a non-porous solid surface polymer with the feel of commercial-grade designer basins and includes an additive, SteriTouch®, that provides antimicrobial protection. Fixture is easy to mount and installs onto a finished wall from the front. Unit is certified to ANSI/ICPA SS-2001, IGC 156-2009 and CSA B45.5-02 and also IAPMO tested to be compliant with CSA Z8000-2011.

**Optional Trap Cover** is made of Corterra non-porous solid surface polymer with SteriTouch anti-microbial protection. Cover allows easy access to p-trap and other plumbing components.

**Waste Connection** is 1-1/4" NPSE grid strainer with close elbow and 1-1/4" O.D. tailpiece.

**GUIDE SPECIFICATION**

Provide Whitehall Infection Prevention Sink (specify model number and options). Fixture shall be fabricated of Corterra® non-porous solid surface polymer with SteriTouch® anti-microbial protection. Sink shall have a deep internal sloping basin and a daisy pattern strainer with grid strainer elbow.

- **Patented D681,177**
- **© Acorn Engineering Co.**

Please visit [www.whitehallmfg.com](http://www.whitehallmfg.com)  
 for most current specifications.



Member of  
U.S. Green  
Building  
Council



Recyclable  
Product

**SteriTouch®**

Complies  
with the  
following  
standards:



C UPC®



**BASE MODEL NUMBER**

- 4150 Compliant Infection Prevention Sink

**INFECTION PREVENTION FAUCETS**

- 9 Without Valve (Specify Drilling)
  - H1 Single Hole Centered
  - H34 Three Holes 4" Centerset (1-5/16" diameter holes)
- CSG Centerset with Lead-Free Gooseneck Spout, Wrist Blade Handles and Laminar Flow Spout
- SO Sensor Operated Deck Mounted Spout
- SO-BAT Sensor Operated Deck Mounted Spout - Battery Powered (batteries not included)

**Disclaimer: The faucet option listed is specifically designed to minimize splash. Whitehall Manufacturing will not be liable for any splashing that occurs if faucet other than Whitehall provided faucet is used.**

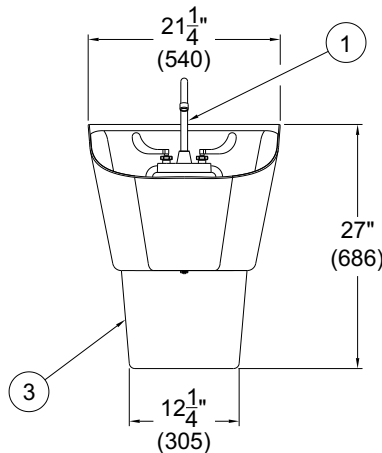
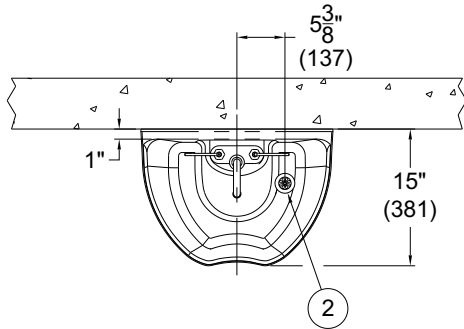
**MOUNTING**

- MC Mounting Carrier

**PRODUCT OPTIONS**

- HTR Chronomite Instantaneous Water Heater (For Remote Location) (Refer to Chronomite Labs at <http://chronomite.com> for applications and field installation)
- TE Trap Enclosure
- MXTP ASSE 1070 Compliant Temperature/Pressure Balancing Mixing Valve
- TPT Tubular P-Trap

Please visit [www.whitehallmfg.com](http://www.whitehallmfg.com) for most current specifications.

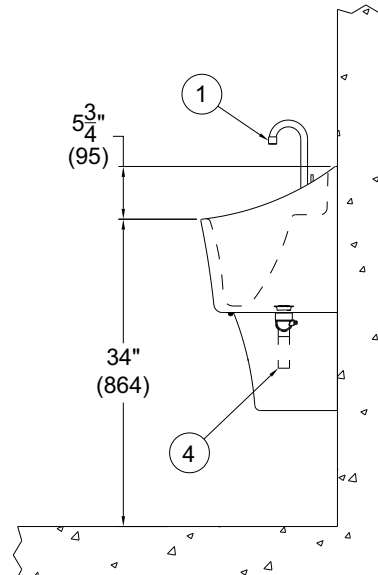


MODEL# 4150-CSG

All dimensions are nominal and subject to manufacturer's change without notice. Whitehall assumes no responsibility for use of void or suspended data © Whitehall Manufacturing, Member of Morris Group International. Please visit [www.whitehallmfg.com](http://www.whitehallmfg.com) for most current specifications.

**NOTES:**

1. Optional -CSG Wrist Blade Gooseneck Faucet
2. Daisy Pattern Strainer
3. Optional -TE Trap Enclosure
4. 1-1/4" NPSE Grid Strainer w/Close Elbow and 1-1/4" O.D. Tailpiece Provided



**SELECTION SUMMARY & APPROVAL FOR MANUFACTURING**



Model Number & Options \_\_\_\_\_ Quantity \_\_\_\_\_  
 Company \_\_\_\_\_ Date \_\_\_\_\_  
 Contact \_\_\_\_\_ Title \_\_\_\_\_  
 Approval for Manufacturing/Signature \_\_\_\_\_