



**Whitehall
 Infection Prevention Sink
 ADA/OBC Compliant**

Model 4151



Please visit www.whitehallmfg.com
 for most current specifications.



4151-CSG

Fixture May Show Some Available Options

Infection Prevention Sink is intended for general use by medical staff, patients and food handlers. Optional Lead-Free Gooseneck faucet includes Laminar Flow nozzle with an integral 1.5 GPM flow restrictor. Sink is designed to include an angled internal slope to defuse outlet water and minimize splash while hand washing and scrubbing up to elbows. Outside rim is at a minimal width and angled downward to prevent pooling water and discourage placement of objects on rim. Fixture includes an offset drain to prevent water from discharging directly into drain.

Fixture is made of Corterra® a non-porous solid surface polymer with the feel of commercial-grade designer basins and includes an additive, SteriTouch®, that provides antimicrobial protection. Fixture is easy to mount and install onto a finished wall from the front. Unit is certified to ANSI/ICPA SS-2001, IGC 156-2009, and CSA B45.5-02 and also IAPMO tested to be compliant with CSA Z8000-2011.

Optional Trap Cover is made of Corterra non-porous solid surface polymer with SteriTouch® antimicrobial protection. Cover allows easy access to p-trap and other plumbing components.

Waste Connection is 1-1/4" NPSE grid strainer with close elbow and 1-1/4" O.D. tailpiece.

GUIDE SPECIFICATION

Provide Whitehall ADA/OBC Infection Prevention Sink (specify model number and options). Fixture shall be fabricated of Corterra® non-porous solid surface polymer with SteriTouch® anti-microbial protection. Sink shall have a deep internal sloping basin and a daisy pattern strainer with grid strainer elbow.

- **Patented D713,946**
- **© Acorn Engineering Co.**

Please visit www.whitehallmfg.com
 for most current specifications.



Member of
U.S. Green
Building
Council



Recyclable
Product

SteriTouch®

Complies
with the
following
standards:





BASE MODEL NUMBER

- 4151 ADA/OBC Compliant Infection Prevention Sink

INFECTON PREVENTION FAUCETS

- 9 Without Valve (Specify Drilling)
 - H1 Single Hole Centered
 - H34 Three Holes 4" Centerset (1-5/16" diameter holes)
- CSG Centerset with Lead-Free Gooseneck Spout, Wrist Blade Handles and Laminar Flow Spout
- SO Sensor Operated Deck Mounted Spout
- SO-BAT Sensor Operated Deck Mounted Spout - Battery Powered (batteries not included)

Disclaimer: The faucet option listed is specifically designed to minimize splash. Whitehall Manufacturing will not be liable for any splashing that occurs if faucet other than Whitehall provided faucet is used.

MOUNTING

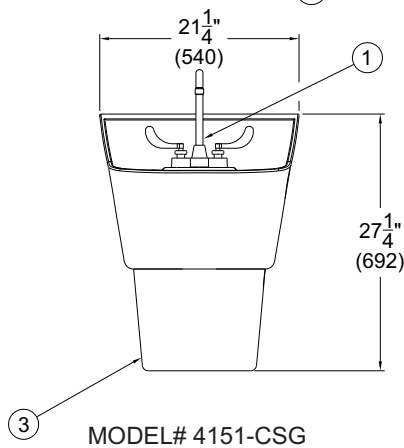
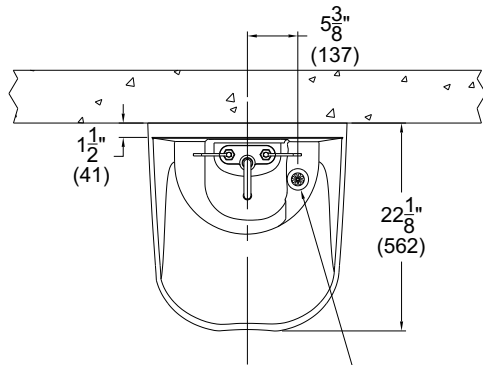
- MC Mounting Carrier

PRODUCT OPTIONS

- HTR Chronomite Instantaneous Water Heater (For Remote Location) (Refer to Chronomite Labs at <http://chronomite.com> for applications and field installation)
- TE Trap Enclosure
- MXTP ASSE 1070 Compliant Temperature/Pressure Balancing Mixing Valve
- TPT Tubular P-Trap

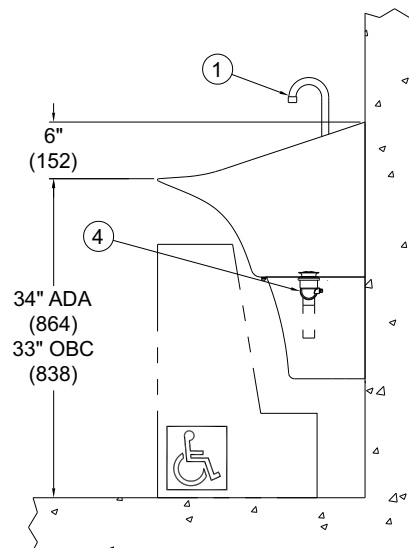
Please visit www.whitehallmfg.com for most current specifications.

All dimensions are nominal and subject to manufacturer's change without notice. Whitehall assumes no responsibility for use of void or suspended data © Whitehall Manufacturing, Member of Morris Group International. Please visit www.whitehallmfg.com for most current specifications.



NOTES:

1. Optional -CSG Wrist Blade Gooseneck Faucet
2. Daisy Pattern Strainer
3. Optional -TE Trap Enclosure
4. 1-1/4" NPSE Grid Strainer w/ Close Elbow and 1-1/4" O.D. Tailpiece Provided



SELECTION SUMMARY & APPROVAL FOR MANUFACTURING



Model Number & Options _____ Quantity _____

Company _____ Date _____

Contact _____ Title _____

Approval for Manufacturing/Signature _____