

ACUDOR PLATINUM

MaxSupply Fax: 1-888-828-6021
Website: www.MaxSupply.com
Email: sales@maxsupply.com

Address: PO Box 4668 #76520 New York, NY 10163-4668
Phone: 1-800-483-0823



NEW CONSTRUCTION ALUMINUM DRAIN

features

DOMES

- ✓ Foundry cast heavy duty aluminum flip top dome
- ✓ Platinum Flip Top Dome
- ✓ 33 weir slots for maximum water flow on both styles
- ✓ 3 bolt design for efficient installation
- ✓ Vandal resistant and contractor friendly

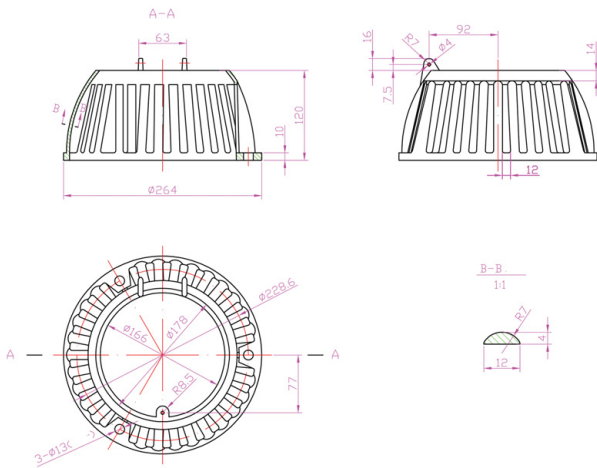
FLANGE / CLAMPING RING

- ✓ Heavy cast aluminum construction
- ✓ 9 drainage channels for full drainage
- ✓ Flange designed for optimum seal with roof flashing
- ✓ Reversible to allow for elevation drainage options

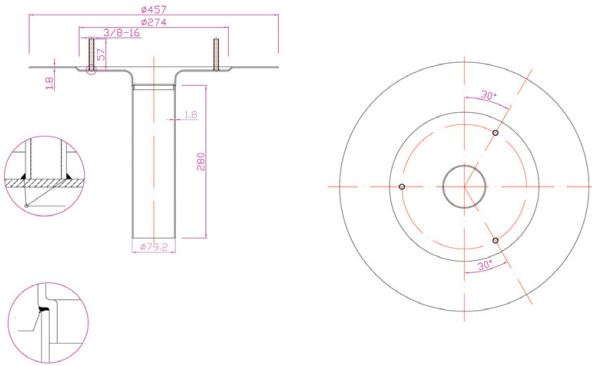
DRAIN DECK and STEM

- ✓ 1.8 mm thickness, 6063 T-5 grade premium aluminum for stem and 1060 pure alum for deck
- ✓ Aluminum welded stem to deck with overlapping seams for superior strength **Platinum Exclusive**
- ✓ Aluminum Argon Arc welded bolts to deck for solid weld fusion
- ✓ 3/8" T-6, 6061 grade aluminum bolts with (6) stainless steel nuts
- ✓ Code approved CSA-B79
- ✓ Available in New Construction sizes 3", 4" and 6" in Flat Deck and in sizes 3", 4" and 6" in Recessed Deck
- ✓ Flat Deck has 8 degree bevelled edge for better adhesion and added strength

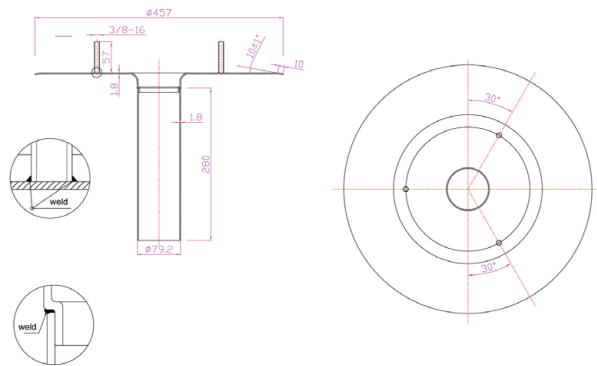
Aluminum Flip Top Dome



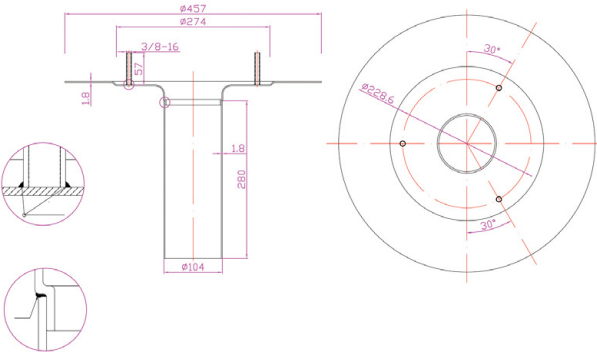
3" Aluminum New Construction Recessed Deck Drain



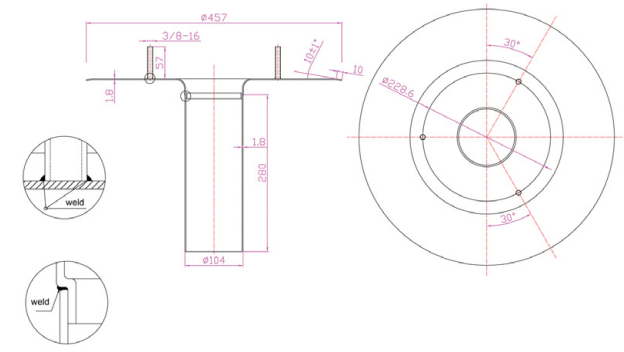
3" Aluminum New Construction Flat Deck Drain



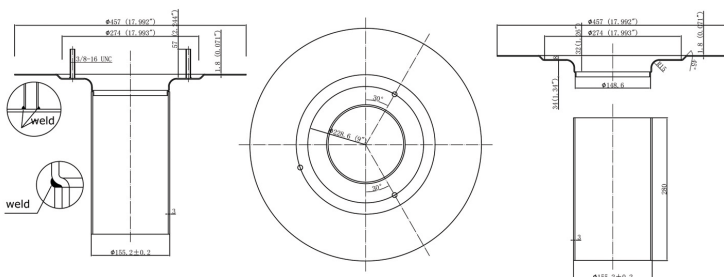
4" Aluminum New Construction Recessed Deck Drain



4" Aluminum New Construction Flat Deck Drain



6" Aluminum New Construction Recessed Deck Drain



6" Aluminum New Construction Flat Deck Drain

