

SUGGESTED  
SPECIFICATIONS

Model BF1 is a push button operated bottle filler designed to be used with an Acorn A171 or A111 Series Barrier-Free Water Cooler. When installed properly, the bottle filler complies with ADA forward reach requirements. Cabinet is available in stainless steel or granite powder coat on galvanized steel. Certified to meet NSF/ANSI 61.9, Public Law 111-380, and National Reduction of Lead in Drinking Water S.3874.

Standard Model:  
A0000000-BF1

Stainless Steel Model:  
A0000000-BF1S



Model -BF1S Shown  
\*\*U.S. DESIGN PATENT PENDING

STANDARD  
FEATURES

- 100 mesh inlet strainer
- Laminar Flow Water Supply
- 1 G.P.M. Fill Rate
- 100% Lead & Brass Free



Member of  
U.S. Green  
Building  
Council



Recyclable  
Product



Water  
Conserving  
Product

CONFIGURING SPECIFIC  
MODEL NO. & OPTIONS

**Model** (Must Specify)

- BF1 Granite Powder Coat  
Galvanized Steel (Std)
- BF1S 18 Gage 304 Stainless Steel  
w/ Brushed Finish

**OPTIONAL ACCESSORIES :**

- WF1 Water Filter  
(Filter Installed In Host Cooler)

Acorn Engineering assumes no responsibility for use of void or superseded data. © Copyright 2007 Acorn Engineering Company™, City of Industry, CA, Please visit [www.maxsupply.com](http://www.maxsupply.com) for most current specifications.

**AO.BF1**

Date: 04/18/14

COMPLIES WITH  
STANDARDS



Test rating conditions are  
compliant with ARI 1010.



**MaxSupply**

Fax: 1-888-828-6021

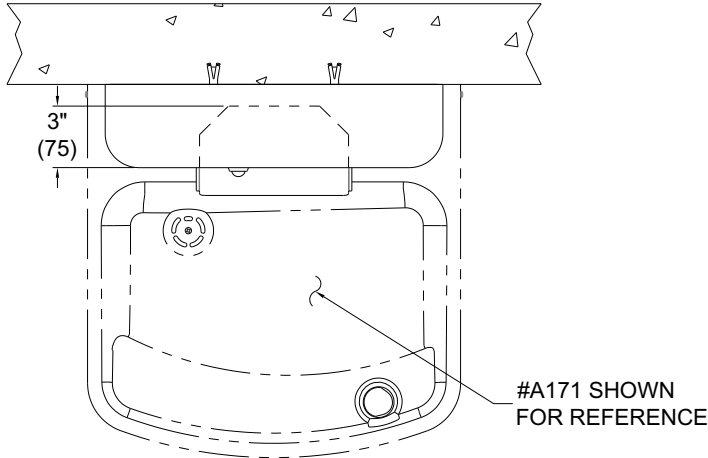
Member of **Website: [www.MaxSupply.com](http://www.MaxSupply.com)**  
Email: [sales@maxsupply.com](mailto:sales@maxsupply.com)

TECHNICAL  
**DIMENSIONS**

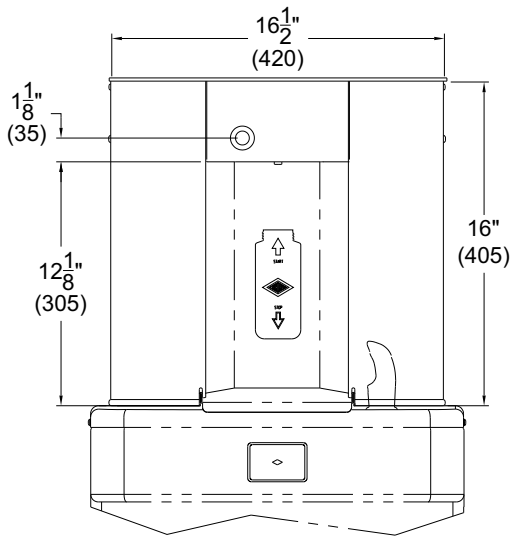
All dimensions are subject to manufactures tolerance of plus or minus 1/8" nominal and subject to change without notice. Acorn Engineering assumes no responsibility for use of void or superseded data. Dimensions may change with the addition of optional accessories. Acorn Engineering Company™, Member of Morris Group International™. Please visit [www.acorneng.com](http://www.acorneng.com) for most current specifications.

**Standard Model:**  
A0000000-BF1

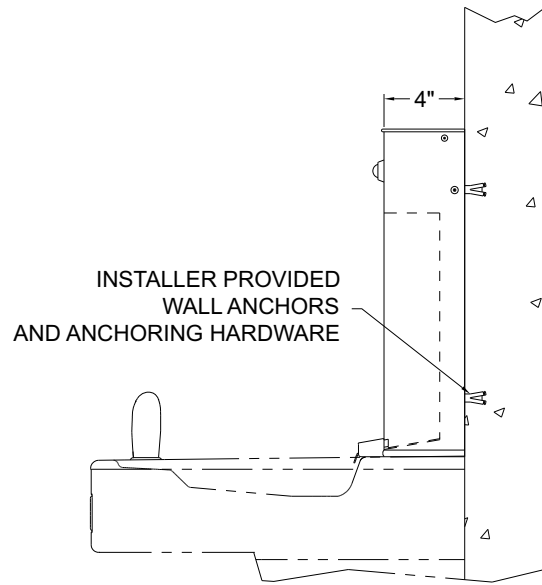
**Stainless Steel Model:**  
A0000000-BF1S



TOP VIEW



FRONT VIEW



SIDE VIEW

GENERAL NOTES:  
1. ALL DIMENSIONS ARE IN INCHES (MM).

**AO.BF1** Date: 04/18/14

Acorn Engineering Company™ warrants that its products are free from defects in material or workmanship under normal use and service for a period of one year from date of shipment. Acorn's™ liability under this warranty shall be discharged solely by replacement or repair of defective material, provided Acorn™ is notified in writing within one year from date of shipment, F.O.B. Industry, California.

SELECTION SUMMARY  
& APPROVAL FOR  
MANUFACTURING

Model Number & Options \_\_\_\_\_ Quantity \_\_\_\_\_

Company \_\_\_\_\_

Contact \_\_\_\_\_ Title \_\_\_\_\_

Signature  
(Approval for  
Manufacturing) \_\_\_\_\_

Date \_\_\_\_\_



Fax: 1-888-828-6021  
Website: [www.MaxSupply.com](http://www.MaxSupply.com)  
Email: [sales@maxsupply.com](mailto:sales@maxsupply.com)