

Location:



P6345

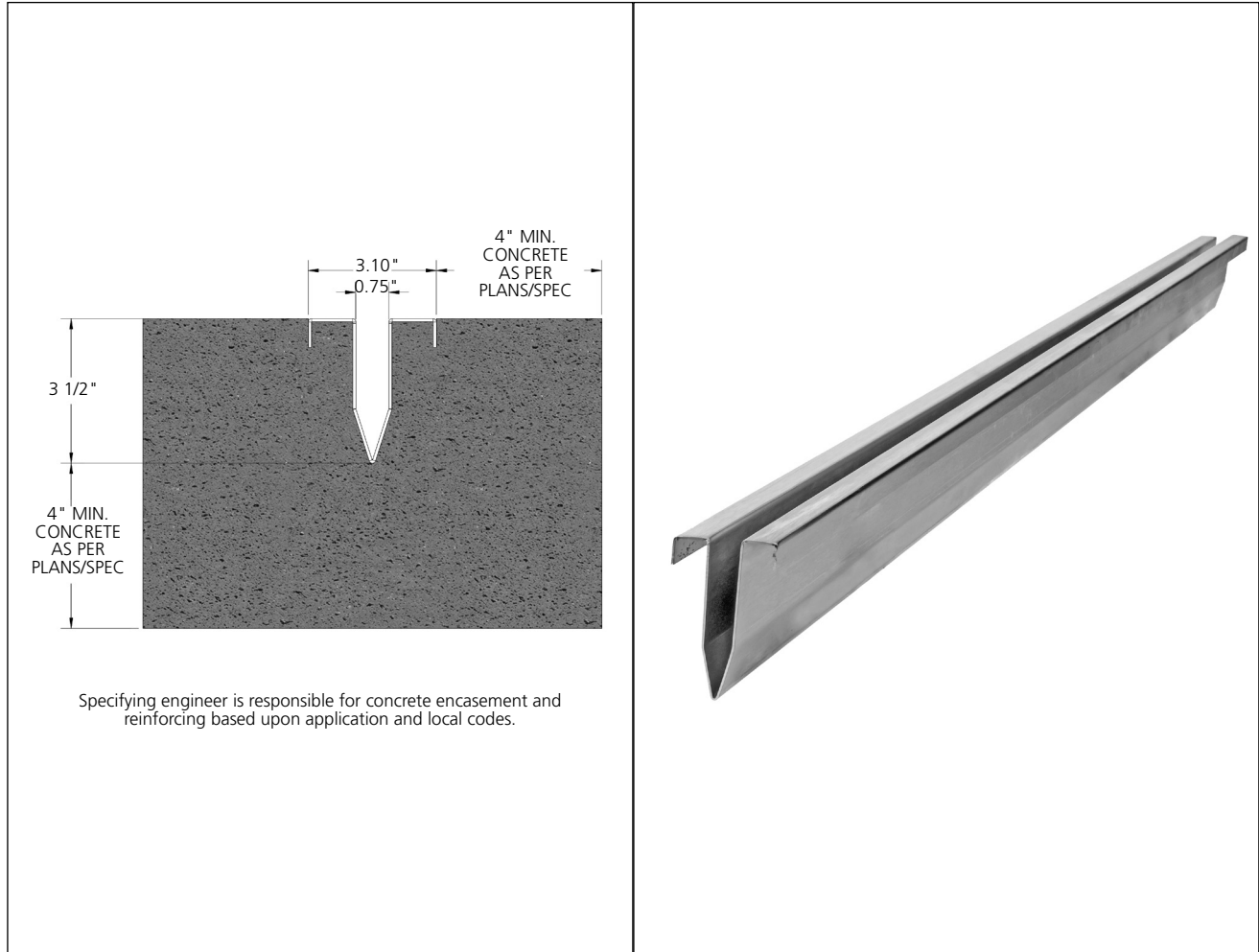
3 1/2" Deep, 3.10" Wide, Stainless Steel Slot Drain with 3/4" Wide Slot Opening

SPECIFICATION:

MIFAB® Series P6345, 3.10" wide, 3 1/2" deep, 16 gauge fabricated Type 304 stainless steel presloped slot drain (1/8" per foot) with 3/4" wide opening and anchor tabs. Bodies have flanged ends to connect to each other with a neoprene rubber gasket in between. End outlets are available in 2" no hub outlet connections and fabricated as part of the trench drain system.

FUNCTION:

Used in kitchens, food processing and other sanitary areas that require a narrow opening to collect wastewater. Stainless steel construction will reduce corrosion.



MODEL NUMBER	DESCRIPTION
P6345	3 1/2" Deep, 3.10" wide, Type 304 Stainless Steel Slot Drain with 3/4" Slot Opening
P6345-29	3 1/2" Deep, 3.10" wide, Type 316 Stainless Steel Slot Drain with 3/4" Slot Opening

Job Name: <input type="text"/>	Page No: <input type="text"/>
Section No: <input type="text"/>	Contract: <input type="text"/>
Schedule No: <input type="text"/>	Purchase Order No: <input type="text"/>