

Location:



P6400

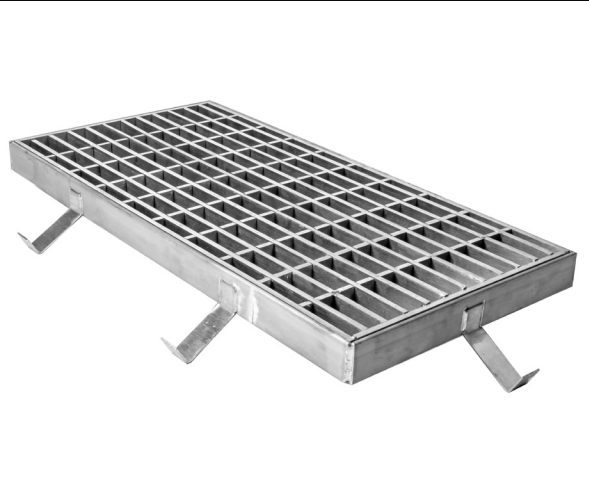
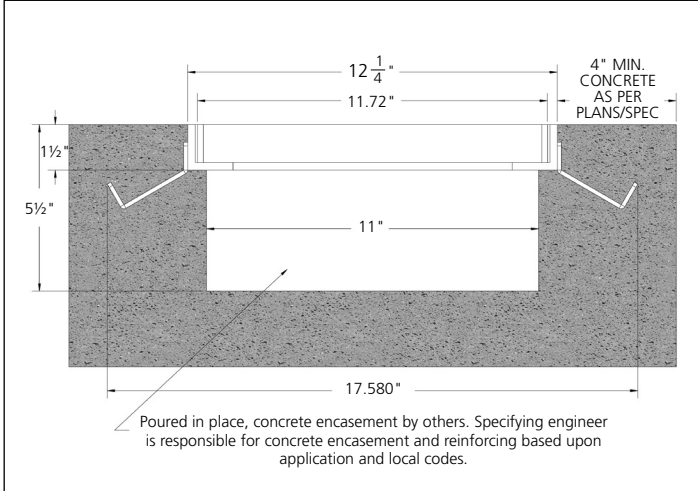
Heavy Duty Stainless Steel Subway Bar, Grate and Frame

SPECIFICATION:

MIFAB® Series P6400, Heavy duty Load Class "C", Type 304 stainless steel subway bar grates with 3/16" x 1" thick reinforcing bars at each joint and frame with anchor tabs. Also available with an optional anchor flange flange (Suffix -FL).

FUNCTION:

Used in industrial, commercial, kitchen and other hygienic and/or corrosive environments where only the heavy duty grating and frame is required. Type 304 stainless steel construction provides for ease of cleaning, maintenance and sanitary installation.



Heavy Duty Stainless Steel Subway Bar Grates	
MODEL NUMBER	SIZE
P6401	12" x 24", Type 304 Stainless Steel
P6402	12" x 30", Type 304 Stainless Steel
P6403	12" x 36", Type 304 Stainless Steel
P6404	12" x 48", Type 304 Stainless Steel
P6405	18" x 18", Type 304 Stainless Steel
P6406	18" x 24", Type 304 Stainless Steel
P6407	18" x 30", Type 304 Stainless Steel
P6408	18" x 36", Type 304 Stainless Steel
P6409	18" x 48", Type 304 Stainless Steel

Heavy Duty Stainless Steel Subway Bar Grates	
MODEL NUMBER	SIZE
P6410	24" x 24", Type 304 Stainless Steel
P6411	24" x 30", Type 304 Stainless Steel
P6412	24" x 36", Type 304 Stainless Steel
P6413	24" x 48", Type 304 Stainless Steel
P6414	30" x 30", Type 304 Stainless Steel
P6415	30" x 36", Type 304 Stainless Steel
P6416	30" x 48", Type 304 Stainless Steel
P6417	36" x 36", Type 304 Stainless Steel
P6418	36" x 48", Type 304 Stainless Steel

SUFFIX	OPTIONAL VARIATIONS	DESCRIPTION
	-V	Bars in the vertical position
	-29	Type 316 Stainless Steel

Note: No hub bottom outlet connections are standard. Specify suffix -2NH, -3NH, -4NH or -6NH after the model number to indicate the no hub bottom outlet size. For the 6" bottom outlet size, please add \$75.00 for Type 304 and \$100.00 for Type 316 stainless steel. Eg. 4" no hub bottom outlet would for the P5001 model would be P5001-4NH.

Job Name: <input type="text"/>	Page No: <input type="text"/>
Section No: <input type="text"/>	Contract: <input type="text"/>
Schedule No: <input type="text"/>	Purchase Order No: <input type="text"/>