

Location:



P9000-CFL

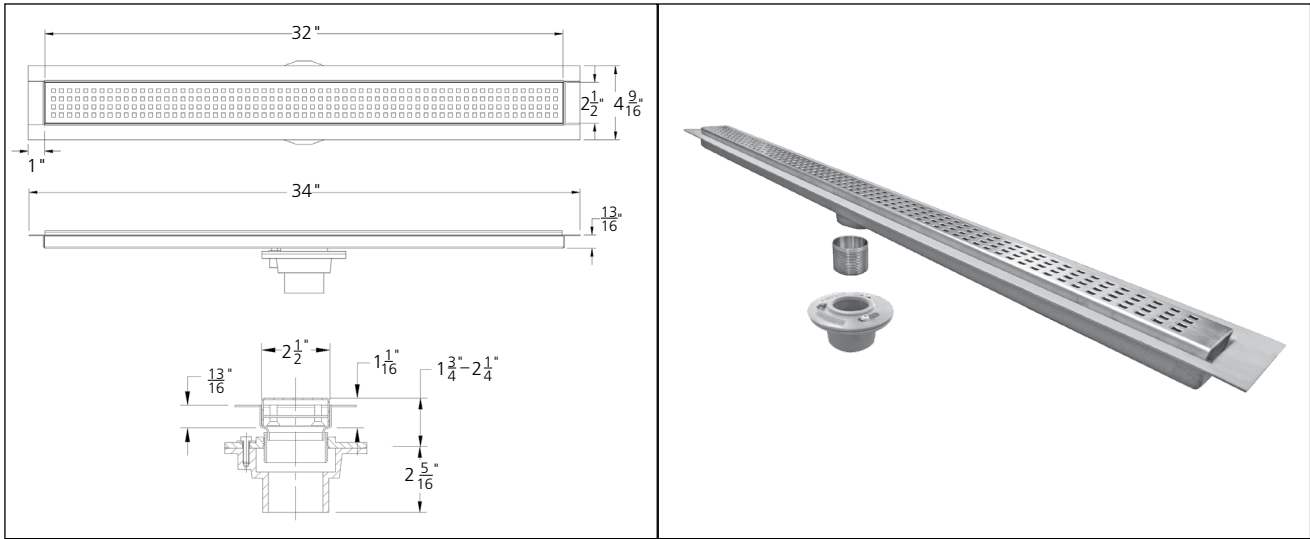
2 1/2" Wide, Stainless Steel Linear Shower Drain with Anchor Flange, Square Hole Grate Pattern and Flanged Bottom Outlet

SPECIFICATION:

MIFAB® Series P9000-CFL, 2 1/2" wide, 1 1/16" deep Type 304 (CF8) fabricated stainless steel linear shower drain. Complete with vertically adjustable top assembly and frame and 2" cast iron no hub center outlet connection with anchor flange, membrane clamp and light-duty satin finished stainless steel grate with square hole pattern.

FUNCTION:

Designed for installation in shower areas where a minimum of 2" (51) concrete pour is required. The drain can be adjusted upward to accommodate an additional 1/2" in height. The anchor flange allows for liquid / fabric waterproofing. The P9000-CFL eliminates the need to slope the finished flooring in multiple directions. This allows the drainage of a larger floor surface area than typical shower drains. The floor can be pitched in one direction toward the linear shower drain. Type 304 construction provides corrosion resistance, durability and low maintenance.



MODEL NUMBER	DESCRIPTION
P9002-CFL-24	2 1/2" wide, Type 304 Stainless Steel Linear Shower Drain with anchor flange, 24" long, satin finish
P9002-CFL-32	2 1/2" wide, Type 304 Stainless Steel Linear Shower Drain with anchor flange, 32" long, satin finish
P9002-CFL-36	2 1/2" wide, Type 304 Stainless Steel Linear Shower Drain with anchor flange, 36" long, satin finish
P9002-CFL-42	2 1/2" wide, Type 304 Stainless Steel Linear Shower Drain with anchor flange, 42" long, satin finish
P9002-CFL-48	2 1/2" wide, Type 304 Stainless Steel Linear Shower Drain with anchor flange, 48" long, satin finish
P9002-CFL-60	2 1/2" wide, Type 304 Stainless Steel Linear Shower Drain with anchor flange, 60" long, satin finish

Note: All grates are Load Class "A", "Light Duty" Grates.

SUFFIX	OPTIONAL VARIATIONS	DESCRIPTION
	-5	Hair Strainer
	-CSM	Custom satin finish, stainless steel grate design and body dimensions
	-CSM-ORB	Custom oil rubbed bronze grate design and body dimensions
	-CSM-PS	Custom polished stainless steel grate design and body dimensions
	-ORB	Oil rubbed bronze grate finish
	-PS	Polished stainless steel grate finish
	T	2" Threaded body outlet connection with anchor flange and membrane clamp

Job Name:

Section No:

Schedule No:

Page No:

Contract:

Purchase Order No: