

Location:



P9000-TI-FL

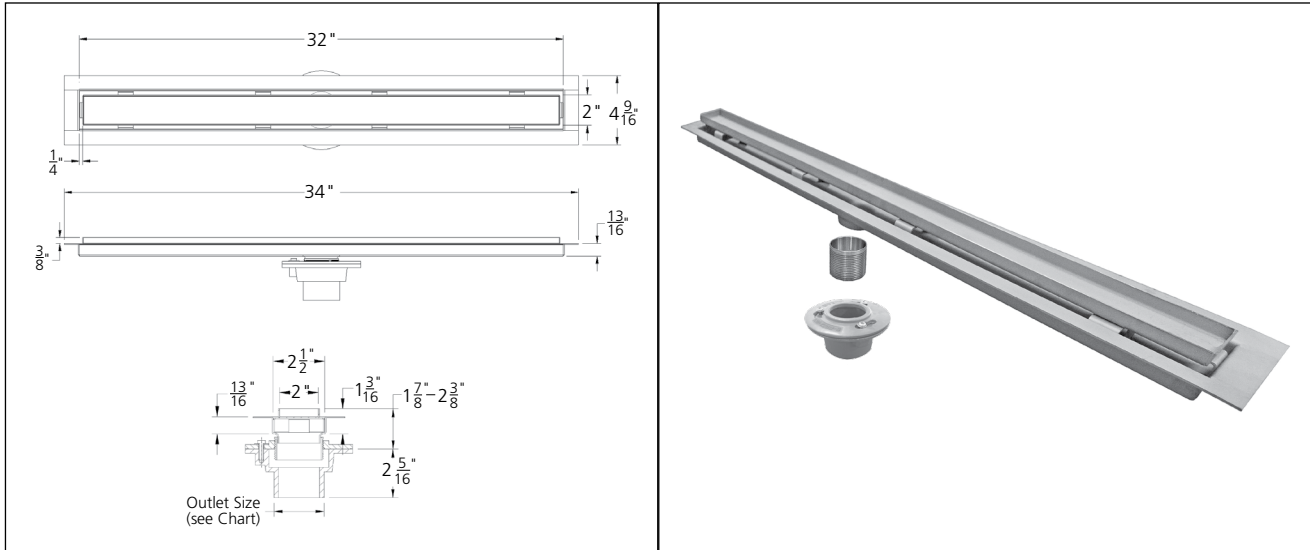
2 1/2" Wide, Stainless Steel Linear Shower Drain with Anchor Flange, Tile Insert and Flanged Bottom Outlet

SPECIFICATION:

MIFAB® Series P9000-TI-FL, 2 1/2" wide, 1 3/16" deep Type 304 (CF8) fabricated stainless steel linear shower drain with anchor flange. Complete with 2" cast iron no hub center outlet connection with anchor flange, membrane clamp and recessed tile insert frame.

FUNCTION:

Designed for installation in shower areas where a minimum of 2" (51) concrete pour is required. The anchor flange allows for liquid / fabric waterproofing. The P9000-TI-FL eliminates the need to slope the finished flooring in multiple directions. This allows the drainage of a larger floor surface area than typical shower drains. The floor can be pitched in one direction toward the linear shower drain. Type 304 construction provides corrosion resistance, durability and low maintenance. Recessed tile insert frame allows for tile to be inserted - to minimize the appearance of the drain.



MODEL NUMBER	DESCRIPTION
P9002-TI-FL-24	2 1/2" wide, Type 304 Stainless Steel Linear Shower Drain with anchor flange, 24" long, tile insert
P9002-TI-FL-32	2 1/2" wide, Type 304 Stainless Steel Linear Shower Drain with anchor flange, 32" long, tile insert
P9002-TI-FL-36	2 1/2" wide, Type 304 Stainless Steel Linear Shower Drain with anchor flange, 36" long, tile insert
P9002-TI-FL-42	2 1/2" wide, Type 304 Stainless Steel Linear Shower Drain with anchor flange, 42" long, tile insert
P9002-TI-FL-48	2 1/2" wide, Type 304 Stainless Steel Linear Shower Drain with anchor flange, 48" long, tile insert
P9002-TI-FL-60	2 1/2" wide, Type 304 Stainless Steel Linear Shower Drain with anchor flange, 60" long, tile insert

Note: All grates are Load Class "A", "Light Duty" Grates.

SUFFIX	OPTIONAL VARIATIONS	DESCRIPTION
	-5	Hair Strainer
	-CSM	Custom tile insert design and body dimensions
	T	2" Threaded body outlet connection with anchor flange & membrane clamp

Job Name:

Section No:

Schedule No:

Page No:

Contract:

Purchase Order No: