

Location:



# P9000-TI

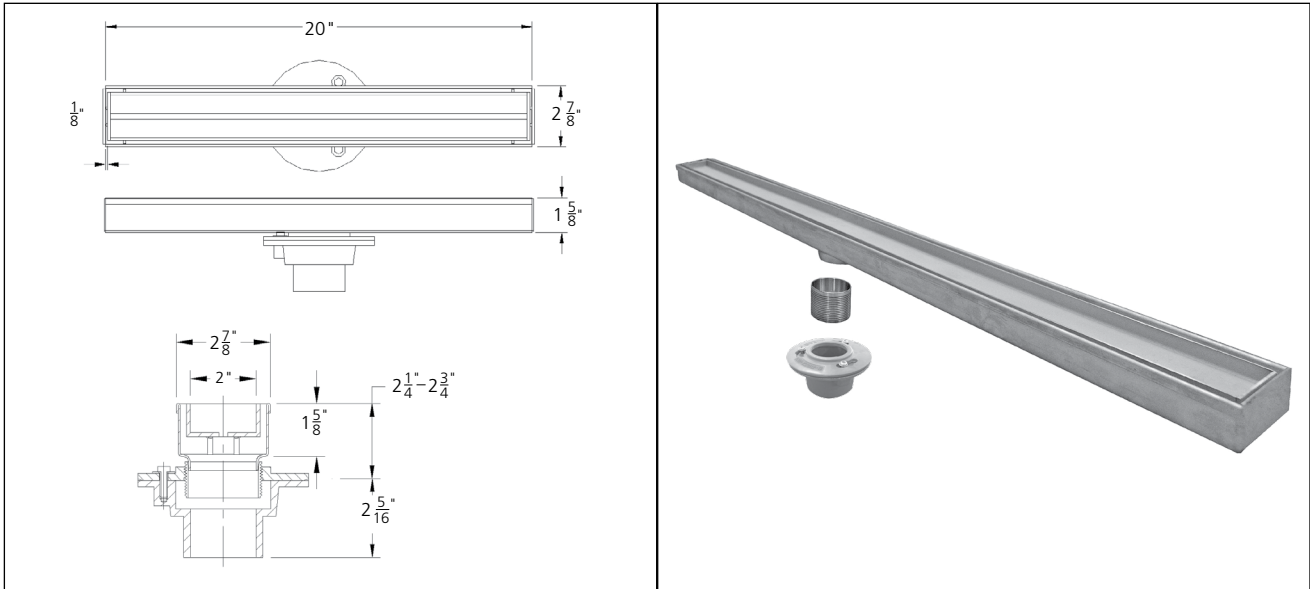
## 2 7/8" Wide, Stainless Steel Linear Shower Drain with Tile Insert and Flanged Bottom Outlet

**SPECIFICATION:**

MIFAB® Series P9000-TI, 2 7/8" wide, 1 5/8" deep Type 304 (CF8) fabricated stainless steel linear shower drain. Complete with 2" cast iron hub center outlet connection with anchor flange, membrane clamp and recessed tile insert frame.

**FUNCTION:**

Designed for installation in shower areas where a minimum of 2" (51) concrete pour is required. The drain can be adjusted upward to accommodate an additional 1" in height. The P9000-TI eliminates the need to slope the finished flooring in multiple directions. This allows the drainage of a larger floor surface area than typical shower drains. The floor can be pitched in one direction toward the linear shower drain. Type 304 construction provides corrosion resistance, durability and low maintenance. Recessed tile insert frame allows for tile to be inserted - to minimize the appearance of the drain.



| MODEL NUMBER       | DESCRIPTION  |
|--------------------|--|
| <b>P9002-TI-24</b> | 2 7/8" wide, Type 304 Stainless Steel Linear Shower Drain, 24" long, tile insert |
| <b>P9002-TI-32</b> | 2 7/8" wide, Type 304 Stainless Steel Linear Shower Drain, 32" long, tile insert |
| <b>P9002-TI-36</b> | 2 7/8" wide, Type 304 Stainless Steel Linear Shower Drain, 36" long, tile insert |
| <b>P9002-TI-42</b> | 2 7/8" wide, Type 304 Stainless Steel Linear Shower Drain, 42" long, tile insert |
| <b>P9002-TI-48</b> | 2 7/8" wide, Type 304 Stainless Steel Linear Shower Drain, 48" long, tile insert |
| <b>P9002-TI-60</b> | 2 7/8" wide, Type 304 Stainless Steel Linear Shower Drain, 60" long, tile insert |

Note: All grates are Load Class "A", "Light Duty" Grates.

| SUFFIX | OPTIONAL VARIATIONS | DESCRIPTION  |
|--------|---------------------|--|
|        | <b>-5</b>           | Hair Strainer  |
|        | <b>-CSM</b>         | Custom tile insert design and body dimensions                            |
|        | <b>T</b>            | 2" Threaded body outlet connection with anchor flange and membrane clamp |

Job Name:

Section No:

Schedule No:

Page No:

Contract:

Purchase Order No: