



Thermalator Stationary Moist Heating Unit Models T-4-S, T-6-S, T-8-S

Shown from Left to Right
T-4-S, T-6-S and T-8-S



Picture may show some available options

Whitehall Thermalators have the best elements of a thermal therapy unit to maintain a constant water temperature for comfortable effective therapy. Model T-4-S is recommended for use in small clinics or home use. Models T-6-S and T-8-S are recommended for use in medium sized clinics.

Unit is fabricated from heavy gauge, type 304 stainless steel polished to a satin finish. Cover has a continuous hinge pin and a built in stop that will keep it in the upright position when open.

Interior Wire Rack is vinyl coated stainless steel and will hold Thermal Packs in the upright position.

Heating Unit has a built-in adjustable thermostat which ranges between 65° and 165°F, and is certified to UL Standards. On/off switch had a built-in light to indicate that the unit is on. (Thermalators are furnished complete with rack and a set of Thermal Packs.)

GUIDE SPECIFICATIONS

Thermalator shall be fabricated from heavy gauge, type 304 stainless steel, polished to satin finish. Cover shall have a continuous hinge pin and a built-in stop that will hold it in the upright position when open. Heating unit is certified to UL Standards and shall have an adjustable thermostat which ranges between 65° and 165°F. On/off switch shall have a built-in light to indicate when unit is on.

(Thermalators are furnished complete with rack and a set of Thermal Packs.)

Please visit www.whitehallmfg.com
for most current specifications.



Member of
U.S. Green
Building
Council



Recyclable
Product



MODEL NUMBER AND OPTIONS SELECTION

BASE MODEL NUMBER

- T Thermalator 115 Volt
- ET Thermalator 220 Volt (€€)

CAPACITY (Must Specify)

- 4 4 Thermal Packs, 10" x 12"
- 6 6 Thermal Packs, Assorted Sizes
- 8 8 Thermal Packs, 10" x 12"

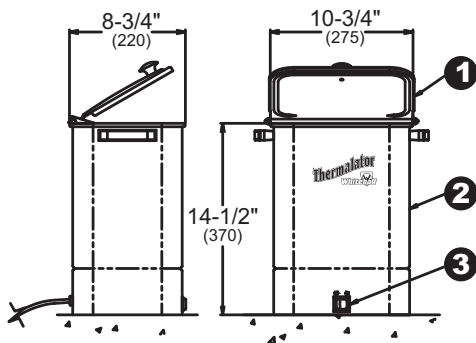
TYPE

- S Stationary

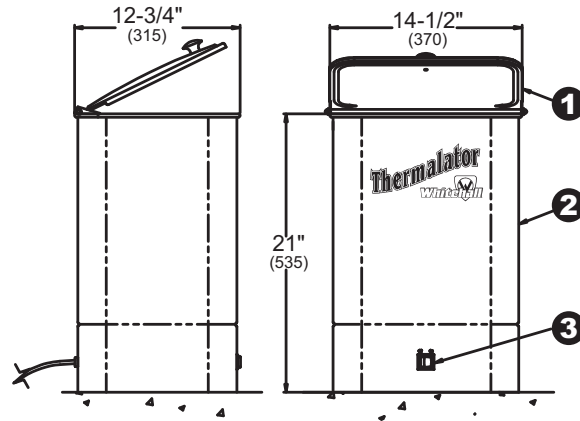
PRODUCT OPTIONS (Must Specify)

- ADH Auxiliary Drain Hose, 5 ft.
- DG Digital Thermometer
- EG Enviro Glaze Color Powder Coating
Specify Color: _____
(Special Finish Consult Factory)
- GFI Ground Fault Interrupter
- IW4 Insulated Wrap for T-4-S
- IW6 Insulated Wrap for T-6-S
- SBW Side Bottle Warmer for T-4-S or T-6-S

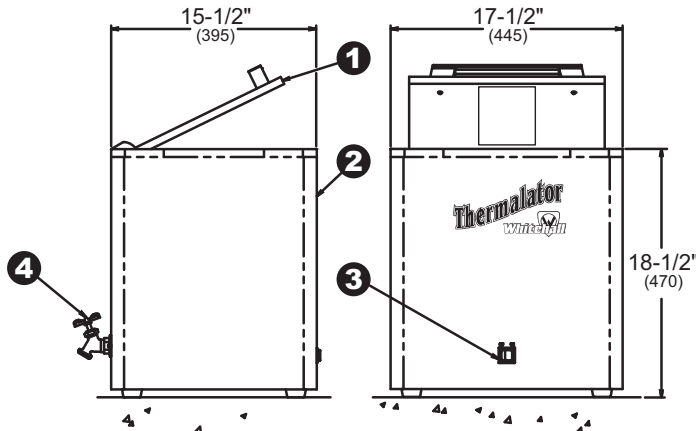
All dimension figures in parentheses are in millimeters.



T-4-S Stationary Thermalator



T-6-S Stationary Thermalator



T-8-S Stationary Thermalator

NOTES:

- 1) Lid with Hinge Pin & Stop
- 2) Stainless Steel Thermalator Tank
- 3) Illuminated On/Off Indicator Switch
- 4) 3/4" (20 mm) Hose Bib Drain

All dimensions are nominal and subject to manufacturer's change without notice. Whitehall assumes no responsibility for use of void or suspended data © Whitehall Manufacturing, Member of Morris Group International. Please visit www.whitehallmfg.com for most current specifications.

SELECTION SUMMARY & APPROVAL FOR MANUFACTURING

Model Number & Options _____ Quantity _____
 Company _____ Date _____
 Contact _____ Title _____
 Approval for Manufacturing/Signature _____