

Location: _____

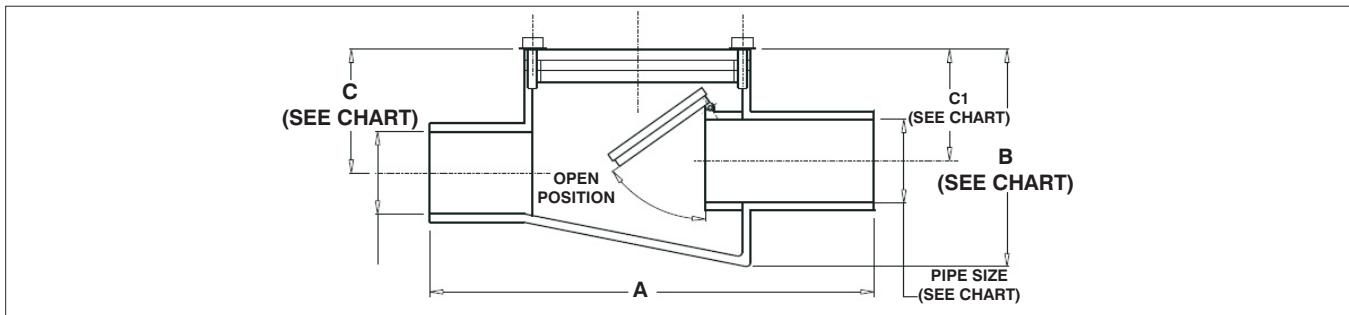
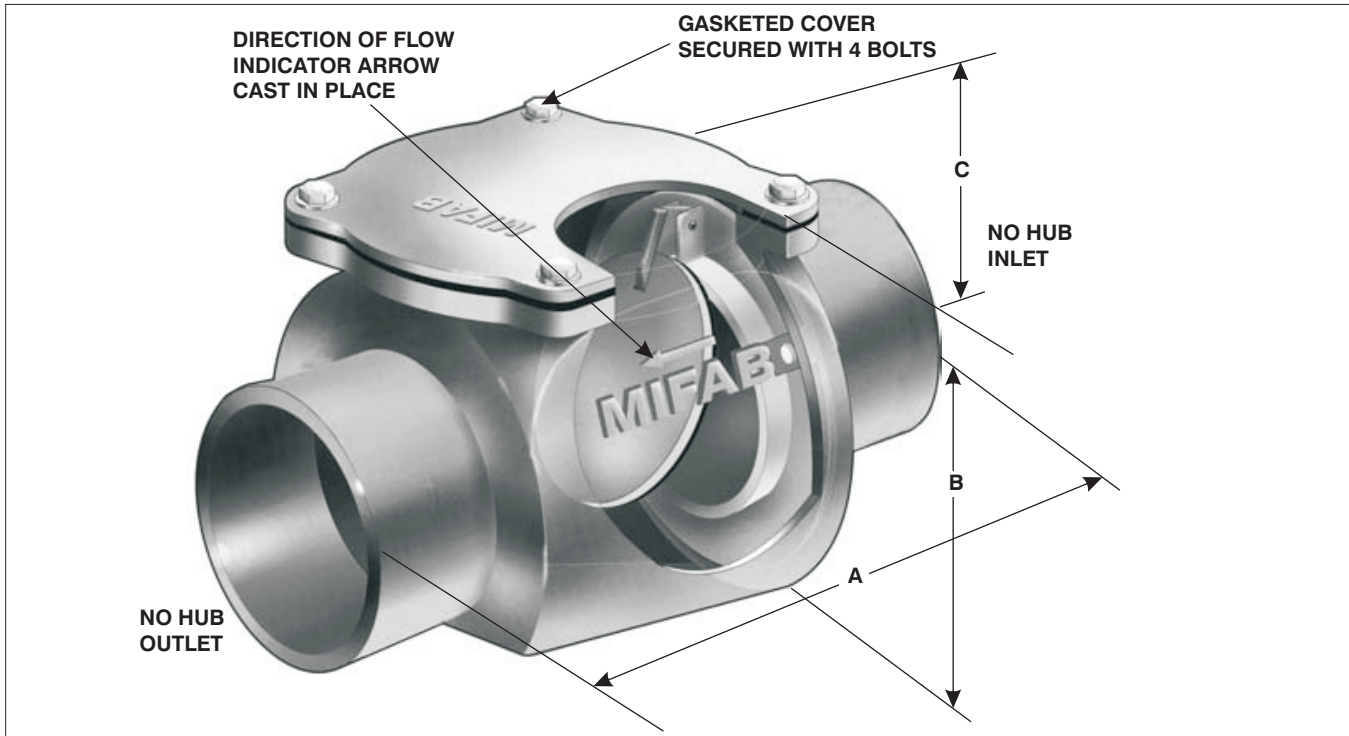


BV1000

**CAST IRON BACKWATER VALVE
WITH PVC FLAPPER**

Specification: MIFAB Series BV1000 lacquered cast iron backwater valve with no hub inlet and outlet, gasketed bolt cover and automatic PVC flapper type backwater valve.

Function: Used in main branch or sewer lines to prevent backflow from the sewers. Full opening access through cover to the flapper assembly for repair and maintenance.



Note: Do not use for pressurized applications; for gravity flow only. Backflow protection is prevented when the valve is obstructed by debris or sludge; clean regularly.

MODEL NUMBER	CONNECTION SIZE	LENGTH A	HEIGHT B	INVERT (OUTLET) C	INVERT (INLET) C1
BV1002	2" No Hub	10 3/4" (273)	5 1/2" (140)	2.40" (61)	2 1/8" (54)
BV1003	3" No Hub	11 3/4" (298)	6 3/4" (171)	3.40 (86)	3 1/8" (79)
BV1004	4" No Hub	12 3/4" (324)	7 1/2" (191)	3 5/8" (92)	3 1/2" (89)
BV1006	6" No Hub	14 3/4" (375)	10" (254)	5" (127)	4 5/8" (117)
BV1008	8" No Hub	17" (432)	12 1/4" (311)	7" (178)	6 1/2" (165)
BV1010	10" No Hub	23 5/8" (600)	13 1/2" (343)	7" (178)	7 1/2" (191)

SUFFIX OPTIONAL VARIATIONS: SUFFIX

-13 All galvanized -HS Hub and spigot connection

-BA Buy American Act compliant product -PA Pennsylvania Steel Act compliant product

Job Name: _____ Page No: _____

Section No: _____ Contractor: _____

Schedule No: _____ Purchase Order No: _____

MIFAB reserves the right to make changes in material and design without formal notice and obligation.