

Location: _____

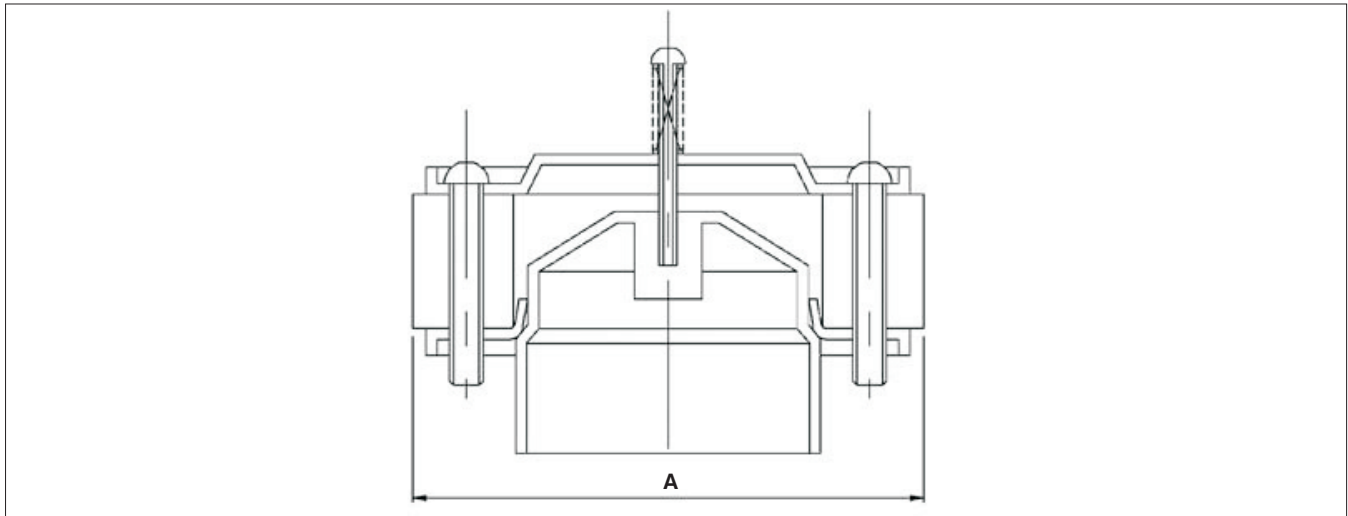
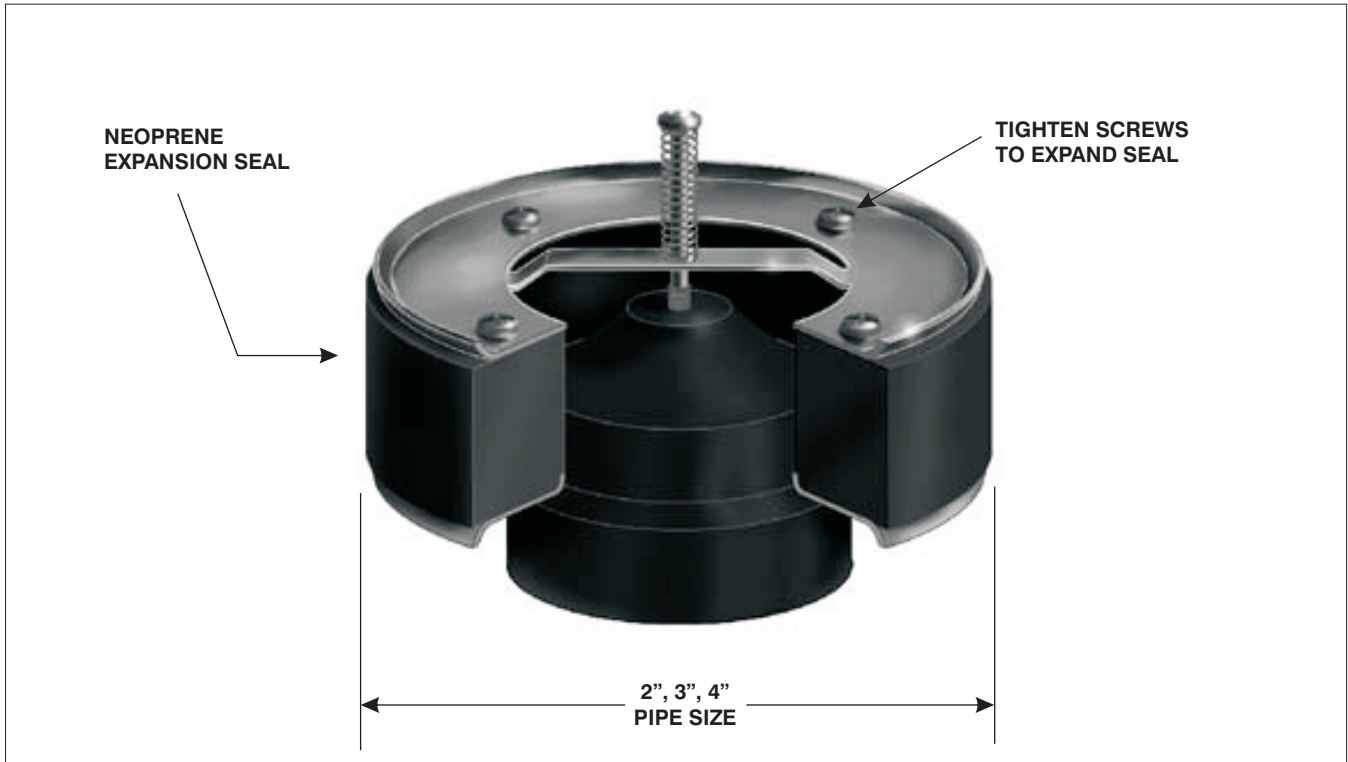


BV1250

BRASS BACKWATER VALVE WITH NEOPRENE SEAT

Specification: MIFAB Series BV1250 brass backwater valve with neoprene rubber seat.

Function: Typically installed inside the no hub outlet connections of MIFAB's various drain bodies or the inside of MIFAB's various floor drain strainers (BV1254 only). Their function is to prevent backflow of water from the plumbing line up through the strainer.



| MODEL NUMBER | "A" PIPE SIZE | WEIGHT (LBS.) |
|--------------|---------------|---------------|
| BV1252 | 2" No Hub | 1.50 |
| BV1253 | 3" No Hub | 2.00 |
| BV1254 | 4" No Hub | 2.50 |

Job Name: _____ Page No: _____
Section No: _____ Contractor: _____
Schedule No: _____ Purchase Order No: _____

MIFAB reserves the right to make changes in material and design without formal notice and obligation.

USA: 1-800-465-2736 www.mifab.com CAN: 1-800-387-3880