

Location: _____

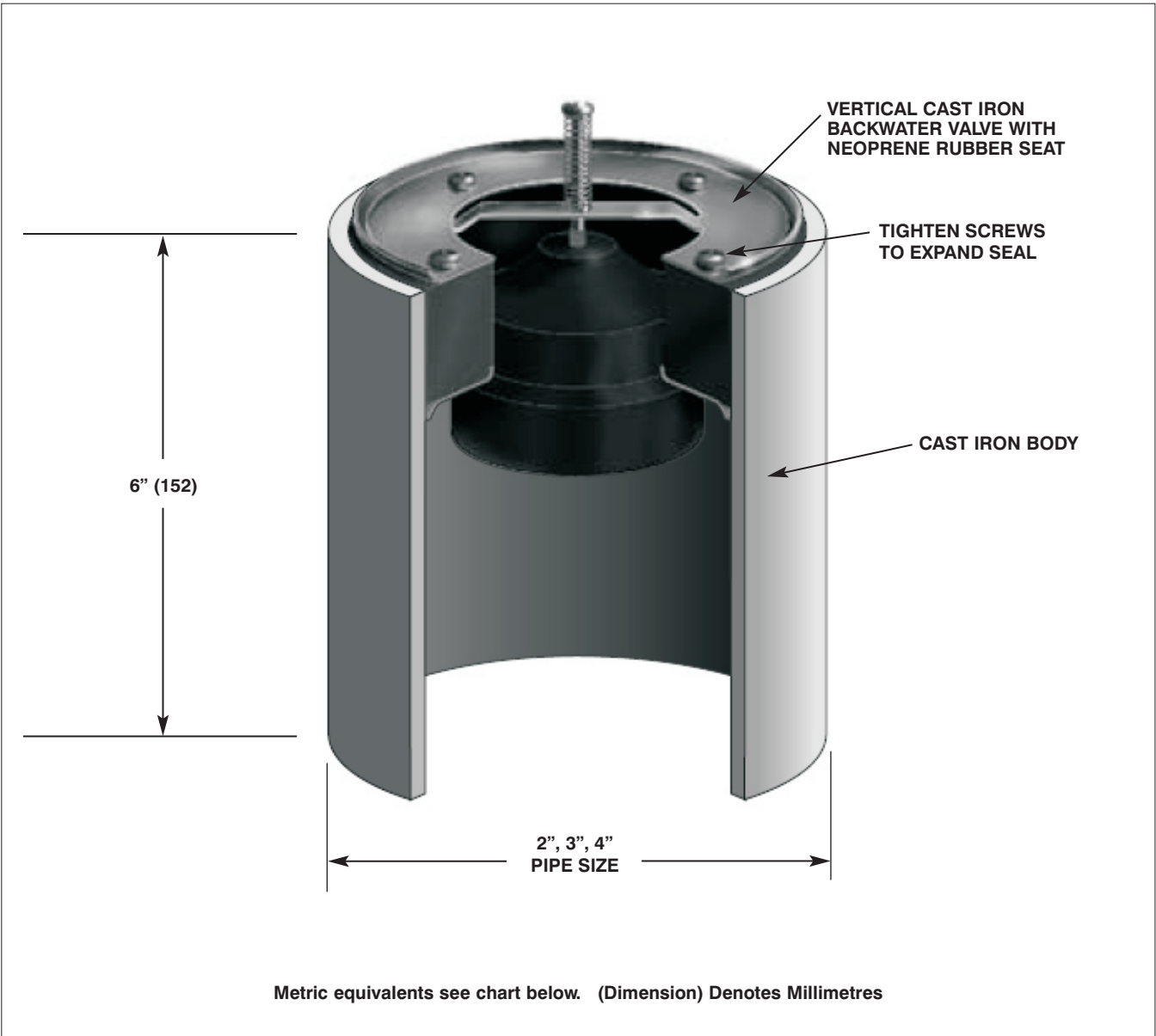


BV1260

VERTICAL CAST IRON BACKWATER VALVE WITH NEOPRENE SEAT

Specification: MIFAB Series BV1260 lacquered vertical cast iron backwater valve with neoprene rubber seat.

Function: Typically installed within the piping system directly under MIFAB's various floor drain bodies. Their function is to prevent backflow of water from the plumbing line up through the strainer.



SUFFIX **OPTIONAL VARIATIONS:**
-13 All galvanized

SUFFIX
-BA Buy American Act compliant product
-PA Pennsylvania Steel Act compliant product

Job Name: _____
Section No: _____
Schedule No: _____

Page No: _____
Contractor: _____
Purchase Order No: _____

MIFAB reserves the right to make changes in material and design without formal notice and obligation.

USA: 1-800-465-2736 www.mifab.com CAN: 1-800-387-3880