

Location: _____

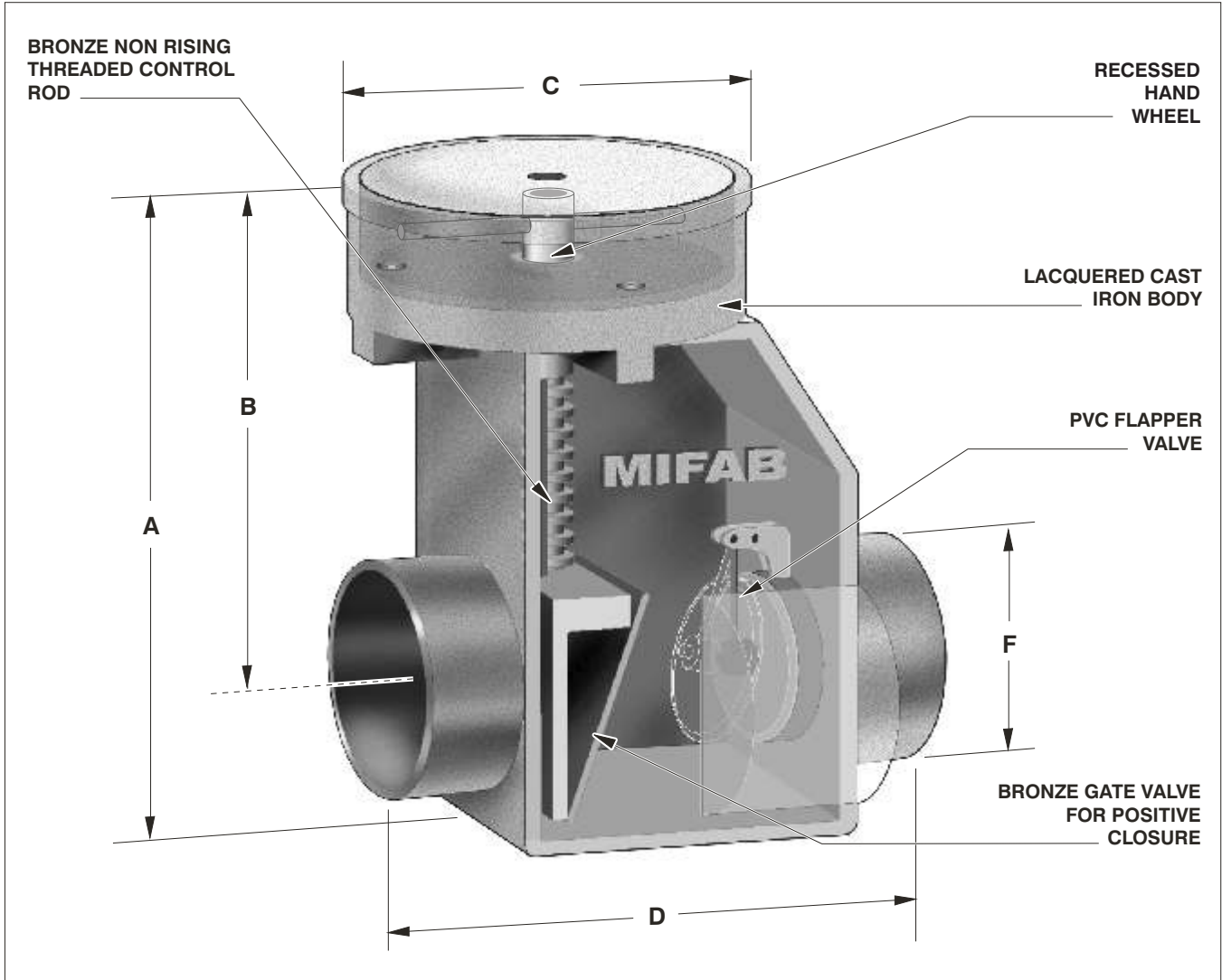


BV1300

MANUALLY OPERATED GATE TYPE BACKWATER VALVE

Specification: MIFAB Series BV1300 in-line gate type manual operated backwater valve, lacquered cast iron body with automatic PVC flapper valve and a bronze gate valve manually controlled by a recessed handle underneath the floor cover connected to a bronze non-rising threaded control rod.

Function: Used as a drainage control valve. The flapper backwater valve provides protection against sewage backflow into the building. The manually closed bronze gate valve provides additional protection during severe storms or when the building is not in use.



Note: Do not use the plumbing fixtures in the building when the manual shut off valve is closed. Do not use for pressurized applications; for gravity flow only. Backflow protection is prevented when the valve is obstructed by debris or sludge; clean regularly.

MODEL NUMBER	"A" BODY HIGHT	"B" INVERT	"C" COVER DIA.	"D" LENGTH	"F" PIPE SIZE
BV1304	15 3/4" (400)	12" (205)	8" (203)	14" (356)	4" (102)
BV1306	19" (483)	14 1/2" (368)	10 1/2" (267)	16" (406)	6" (152)

SUFFIX **OPTIONAL VARIATIONS:**
 -13 All galvanized
 -15x12 12" Extension (BV1304)
 -15x12 12" Extension (BV1306)

SUFFIX
 -15x24 24" Extension (BV1304)
 -15x24 24" Extension (BV1306)
 -34G Bronze flapper valve (BV1304 only)

SUFFIX
 -BA Buy American Act compliant product
 -HS Hub and spigot connection
 -PA Pennsylvania Steel Act compliant product

Job Name: _____ Page No: _____
 Section No: _____ Contractor: _____
 Schedule No: _____ Purchase Order No: _____

MIFAB reserves the right to make changes in material and design without formal notice and obligation.