

Location: _____

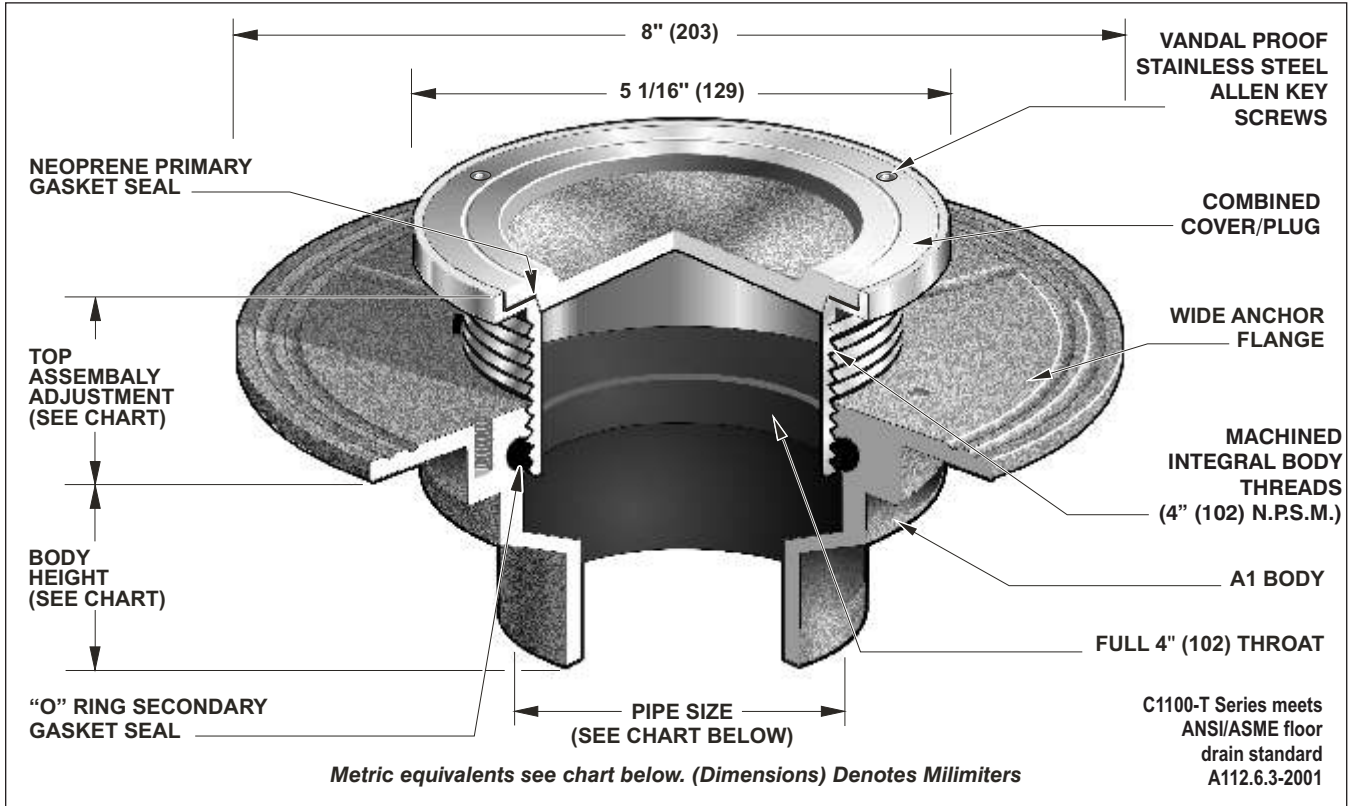


C1100-T

FLOOR CLEANOUT FOR TILE AREAS WITH ROUND ADJUSTABLE COVER AND PLUG

Specification: MIFAB C1100-T Series adjustable floor cleanout with lacquered cast iron body and anchor flange, secondary "O" ring Test Seal, 4" diameter cleanout opening and round scoriated combined cover and plug top assembly (specify material type) with 1/8" recess for tile and stainless steel vandal proof allen key screws and primary gasket seal. (For membrane floors, add Suffix -C for the membrane clamp.)

Function: Used in finished floors to provide emergency access to the plumbing lines for removal of blockages. Typical in floors where a minimum amount of cleanout top is desired to be visible. The recess in the cover is to receive vinyl or thin floor tile. Replacement of the surface level cover/plug with the neoprene gasket glued to the underside provides visual evidence that the cleanout has been properly resealed to prevent harmful sewer gases from entering the building.



Metric equivalents see chart below. (Dimensions) Denotes Millimeters

TOP ASSEMBLY DIAMETER	TOP ASSEMBLY ADJUSTMENT MIN MAX		ANSI/ASME RATING LOAD RATING		PIPE SIZE	BODY HEIGHT				
			N.B. (-1)	S.S. (-3)		NO HUB (STANDARD)	PUSH ON (P)	THREADED (T)	INSIDE CAULK (X)	PVC/ABS (-30)/(-31)
5" (127)	1/2" (13)	1 1/4" (32)	UP TO 4,999 LBS.	5,000 TO 7,499 LBS.	2" (51)	3" (76)	3 3/8" (86)	2 1/4" (57)	3 3/4" (95)	2 15/16" (75)
					3" (76)	3" (76)	3 3/8" (86)	2 5/8" (67)	3 3/4" (95)	3 3/4" (95)
					4" (102)	3" (76)	3 3/8" (86)	2 5/8" (67)	3 3/4" (95)	3 3/4" (95)
					5" (127)	3" (76)	—	2 5/8" (67)	3 3/4" (95)	—
					6" (152)	3 1/4" (83)	6 1/2" (165)	—	—	—

SUFFIX OPTIONAL VARIATIONS:

- 1 Nickel bronze top assembly
- 3 Heavy duty stainless steel top assembly
- 6 Security screws (TR25 Torx & pin)
- 11 Acid resistant epoxy coated body
- 13 Galvanized body
- 15 Extension
- 28 Stainless steel body (Type 304)
- 30 PVC socket connection body
- 31 ABS socket connection body

SUFFIX

- 34 Secondary closure plug
- 90 Threaded side outlet (2", 3", 4") (cast iron only)
- 90NH No hub side outlet (2", 3", 4") (cast iron only)
- 95 Special marking etched into top (SAN for sanitary or GW for Grease Waste)
- ARRA ARRA (Stimulus Act) compliant product

SUFFIX

- BA Buy American Act compliant product
- C Membrane clamp
- (Standard) No hub outlet
- P Push on outlet
- PA Pennsylvania Steel Act compliant product
- T Threaded outlet (2", 3", 4")
- X Inside caulk outlet
- Z Extended wide elastomeric flange

Job Name: _____ Page No: _____
 Section No: _____ Contractor: _____
 Schedule No: _____ Purchase Order No: _____

MIFAB reserves the right to make changes in material and design without formal notice and obligation.