

Location: \_\_\_\_\_

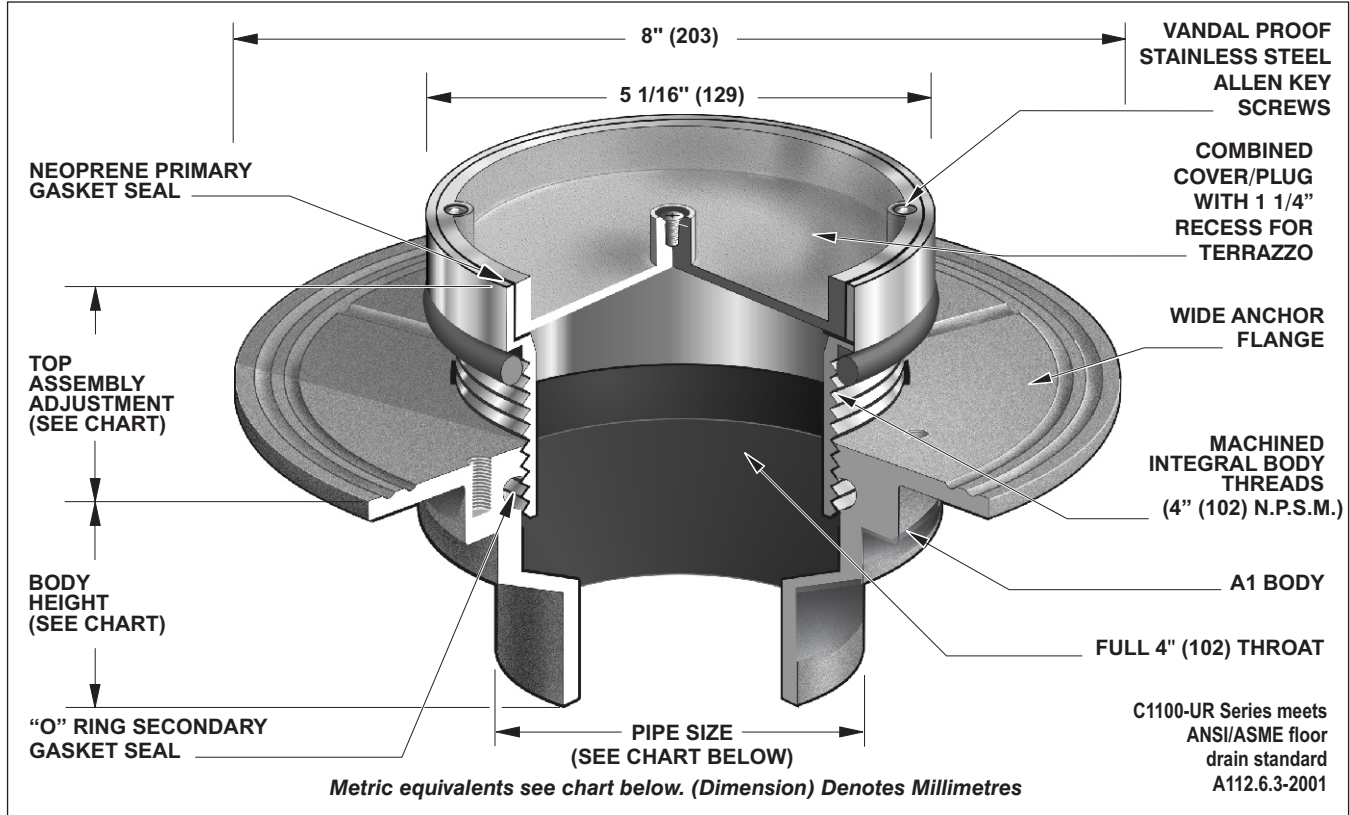


# C1100-UR

## FLOOR CLEANOUT FOR TERRAZZO AREAS WITH ROUND ADJUSTABLE COVER AND PLUG

**Specification:** MIFAB C1100-UR Series adjustable floor cleanout with lacquered cast iron body and anchor flange, secondary "O" ring Test Seal, 4" diameter cleanout opening and round scoriated combined cover and plug top assembly (specify material type) with 1 1/4" recess for terrazzo and stainless steel vandal proof allen key screws and primary gasket seal. (For membrane floors, add Suffix -C for the membrane clamp.)

**Function:** Used in finished floors to provide emergency access to the plumbing lines for removal of blockages. Typical in floors where a minimum amount of cleanout top is desired to be visible. The recess in the cover is to receive terrazzo or ceramic tile fill. Replacement of the surface level cover/plug with the neoprene gasket glued to the underside provides visual evidence that the cleanout has been properly resealed to prevent harmful sewer gases from entering the building.



TOP ASSEMBLY DIAMETER	TOP ASSEMBLY ADJUSTMENT MIN      MAX		ANSI/ASME RATING LOAD RATING		PIPE SIZE	BODY HEIGHT				
			N.B. (-1)	S.S. (-3)		NO HUB (STANDARD)	PUSH ON (P)	THREADED (T)	INSIDE CAULK (X)	PVC/ABS (-30)/(-31)
5" (127)	1/2" (13)	1 1/4" (32)	UP TO 4,999 LBS.	5,000 TO 7,499 LBS.	2" (51)	3" (76)	3 3/8" (86)	2 1/4" (57)	3 3/4" (95)	2 15/16" (75)
					3" (76)	3" (76)	3 3/8" (86)	2 5/8" (67)	3 3/4" (95)	3 3/4" (95)
					4" (102)	3" (76)	3 3/8" (86)	2 5/8" (67)	3 3/4" (95)	3 3/4" (95)
					5" (127)	3" (76)	—	2 5/8" (67)	3 3/4" (95)	—
					6" (152)	3 1/4" (83)	6 1/2" (165)	—	—	—

<b>SUFFIX</b>	<b>OPTIONAL VARIATIONS:</b>	<b>SUFFIX</b>		<b>SUFFIX</b>	
-1	Nickel bronze top assembly	-34	Secondary closure plug	-BA	Buy American Act compliant product
-3	Heavy duty stainless steel top assembly	-90	Threaded side outlet (2", 3", 4") (cast iron only)	-C	Membrane clamp
-6	Security screws (TR25 Torx & pin)	-90NH	No hub side outlet (2", 3", 4") (cast iron only)	(Standard)	No hub outlet
-11	Acid resistant epoxy coated body	-95	Special marking etched into top (SAN for sanitary or GW for Grease Waste)	P	Push on outlet
-13	Galvanized body	-ARRA	ARRA (Stimulus Act) compliant product	-PA	Pennsylvania Steel Act compliant product
-15	Extension			T	Threaded outlet (2", 3", 4")
-28	Stainless steel body (Type 304)			X	Inside caulk outlet
-30	PVC socket connection body			-Z	Extended wide elastomeric flange
-31	ABS socket connection body				

Job Name: \_\_\_\_\_ Page No: \_\_\_\_\_  
 Section No: \_\_\_\_\_ Contractor: \_\_\_\_\_  
 Schedule No: \_\_\_\_\_ Purchase Order No: \_\_\_\_\_