

Location: _____

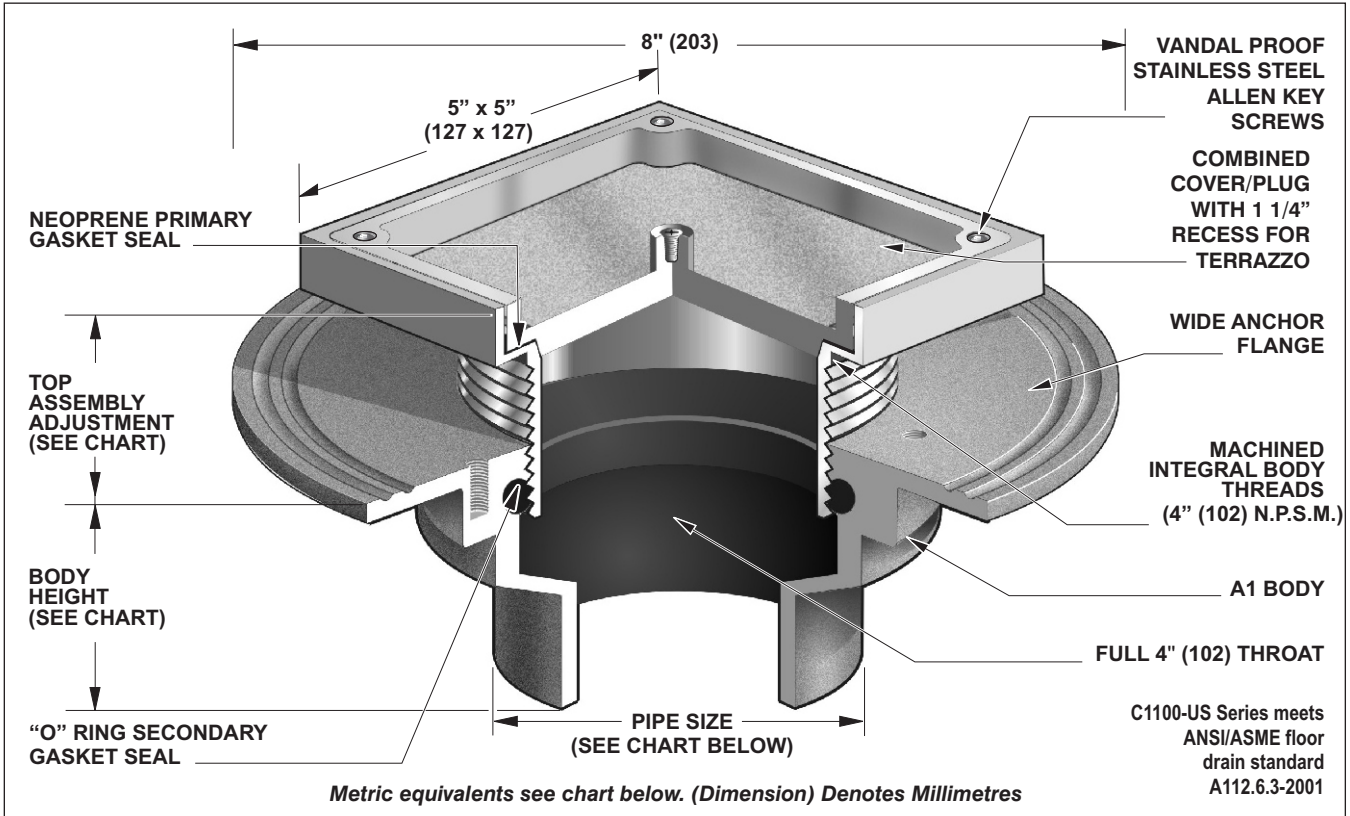


C1100-US

FLOOR CLEANOUT FOR TERRAZZO AREAS WITH SQUARE ADJUSTABLE COVER AND PLUG

Specification: MIFAB C1100-US Series adjustable floor cleanout with lacquered cast iron body and anchor flange, secondary "O" ring Test Seal, 4" diameter cleanout opening and square scoriated combined cover and plug top assembly (specify material type) with 1 1/4" recess for terrazzo and stainless steel vandal proof allen key screws and primary gasket seal. (For membrane floors, add Suffix -C for the membrane clamp.)

Function: Used in finished floors to provide emergency access to the plumbing lines for removal of blockages. Typical in floors where a minimum amount of cleanout top is desired to be visible. The recess in the cover is to receive terrazzo or ceramic tile fill. Replacement of the surface level cover/plug with the neoprene gasket glued to the underside provides visual evidence that the cleanout has been properly resealed to prevent harmful sewer gases from entering the building.



TOP ASSEMBLY SIZE	TOP ASSEMBLY ADJUSTMENT		ANSI/ASME RATING		PIPE SIZE	BODY HEIGHT				
			LOAD RATING			NO HUB (STANDARD)	PUSH ON (P)	THREADED (T)	INSIDE CAULK (X)	PVC/ABS (-30)/(-31)
			N.B. (-1)	S.S. (-3)						
5" x 5" (127 x 127)	1/2" (13)	1 1/4" (32)	UP TO	5,000 TO	2" (51)	3" (76)	3 3/8" (86)	2 1/4" (57)	3 3/4" (95)	2 15/16" (75)
			4,999	7,499	3" (76)	3" (76)	3 3/8" (86)	2 5/8" (67)	3 3/4" (95)	3 3/4" (95)
			LBS.	LBS.	4" (102)	3" (76)	3 3/8" (86)	2 5/8" (67)	3 3/4" (95)	3 3/4" (95)
					5" (127)	3" (76)	—	2 5/8" (67)	3 3/4" (95)	—
					6" (152)	3 1/4" (83)	6 1/2" (165)	—	—	—

SUFFIX	OPTIONAL VARIATIONS:	SUFFIX	SUFFIX
-1	Nickel bronze top assembly	-34	Secondary closure plug
-3	Heavy duty stainless steel top assembly	-90	Threaded side outlet (2", 3", 4") (cast iron only)
-6	Security screws (TR25 Torx & pin)	-90NH	No hub side outlet (2", 3", 4") (cast iron only)
-11	Acid resistant epoxy coated body	-95	Special marking etched into top (SAN for sanitary or GW for Grease Waste)
-13	Galvanized body	-ARRA	ARRA (Stimulus Act) compliant product
-15	Extension		
-28	Stainless steel body (Type 304)		
-30	PVC socket connection body		
-31	ABS socket connection body		
		-BA	Buy American Act compliant product
		-C	Membrane clamp
		(Standard)	No hub outlet
		P	Push on outlet
		-PA	Pennsylvania Steel Act compliant product
		T	Threaded outlet (2", 3", 4")
		X	Inside caulk outlet
		-Z	Extended wide elastomeric flange

Job Name: _____ Page No: _____
 Section No: _____ Contractor: _____
 Schedule No: _____ Purchase Order No: _____