

Location: _____

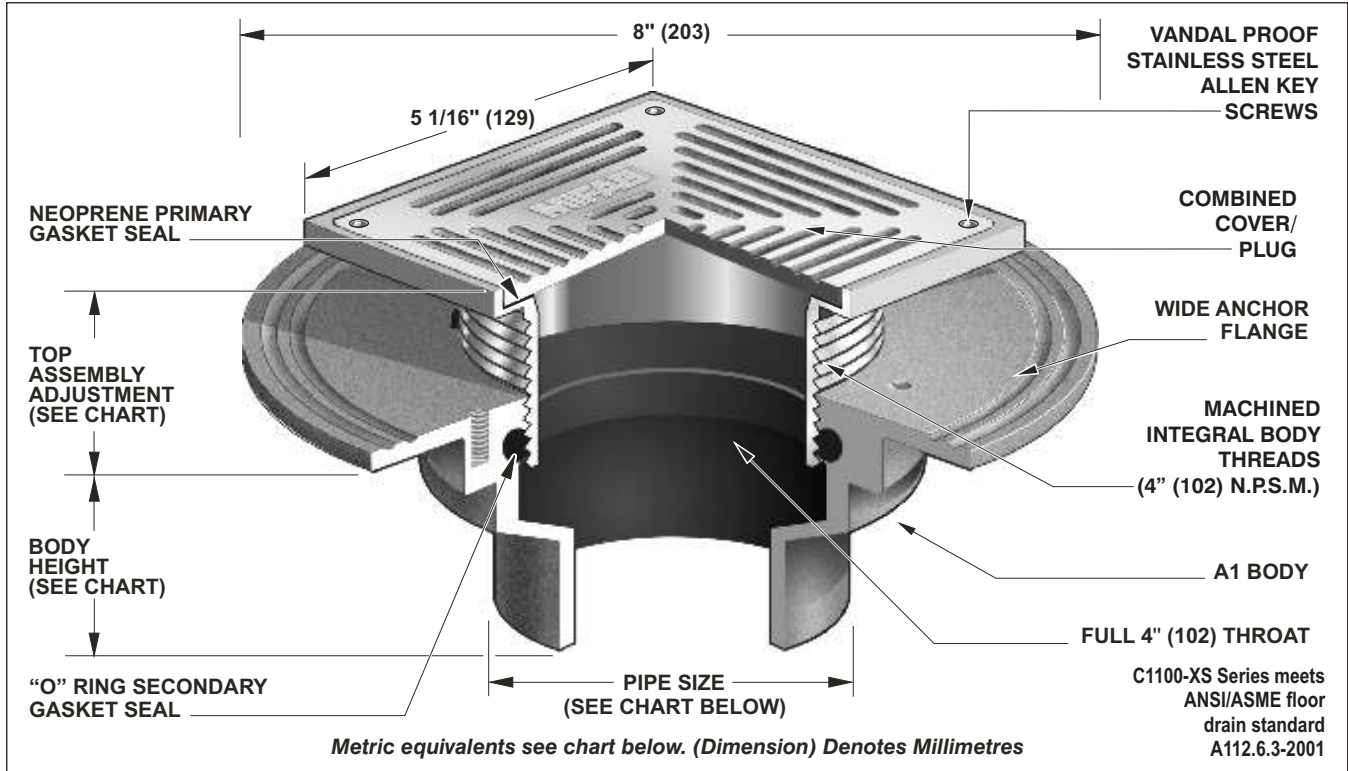


C1100-XS

FLOOR CLEANOUT WITH HEAVY DUTY SQUARE ADJUSTABLE COVER AND PLUG

Specification: MIFAB C1100-XS Series adjustable floor cleanout with lacquered cast iron body and anchor flange, secondary "O" ring Test Seal, 4" diameter cleanout opening and heavy duty square scoriated combined cover and plug top assembly with stainless steel vandal proof allen key screws and primary gasket seal. (For membrane floors, add Suffix -C for the membrane clamp.)

Function: Used in finished floors to provide emergency access to the plumbing lines for removal of blockages. Replacement of the surface level cover/plug with the neoprene gasket glued to the underside provides visual evidence that the cleanout has been properly resealed to prevent harmful sewer gases from entering the building.



TOP ASSEMBLY SIZE	TOP ASSEMBLY ADJUSTMENT MIN MAX		ANSI/ASME RATING LOAD RATING		PIPE SIZE	BODY HEIGHT				
			N.B. (-1)	S.S. (-3)		NO HUB (STANDARD)	PUSH ON (P)	THREADED (T)	INSIDE CAULK (X)	PVC/ABS (-30)/(-31)
5" x 5" (127 x 127)	1/2" (13)	1 1/4" (32)	UP TO 4,999 LBS.	5,000 TO 7,499 LBS.	2" (51)	3" (76)	3 3/8" (86)	2 1/4" (57)	3 3/4" (95)	2 15/16" (75)
					3" (76)	3" (76)	3 3/8" (86)	2 5/8" (67)	3 3/4" (95)	3 3/4" (95)
					4" (102)	3" (76)	3 3/8" (86)	2 5/8" (67)	3 3/4" (95)	3 3/4" (95)
					5" (127)	3" (76)	—	2 5/8" (67)	3 3/4" (95)	—
					6" (152)	3 1/4" (83)	6 1/2" (165)	—	—	—

SUFFIX	OPTIONAL VARIATIONS:	SUFFIX		SUFFIX	
-1	Nickel bronze top assembly	-34	Secondary closure plug	P	Push on outlet
-3	Heavy duty stainless steel top assembly	-90	Threaded side outlet (2", 3", 4") (cast iron only)	-PA	Pennsylvania Steel Act compliant product
-6	Security screws (TR25 Torx & pin)	-90NH	No hub side outlet (2", 3", 4") (cast iron only)	-RC	Stainless steel carpet maker
-6S	6" x 6" square top assembly (-1 or -3 only)	-95	Special marking etched into top (SAN for sanitary or GW for Grease Waste)	-RCF	Stainless steel carpet flange cover (-1 or -3 only)
-11	Acid resistant epoxy coated body	-ARRA	ARRA (Stimulus Act) compliant product	-TS	Square top assembly recessed 1/8" for tile (-1 or -3 only)
-13	Galvanized body	-BA	Buy American Act compliant product	-US	Square top assembly recessed 1 1/4" for terrazzo (-1 or -3 only)
-15	Extension	-C	Membrane clamp (Standard)	T	Threaded outlet (2", 3", 4")
-28	Stainless steel body (Type 304)			X	Inside caulk outlet
-30	PVC socket connection body			-Z	Extended wide elastomeric flange
-31	ABS socket connection body				

Job Name: _____ Page No: _____
 Section No: _____ Contractor: _____
 Schedule No: _____ Purchase Order No: _____