

Location: _____

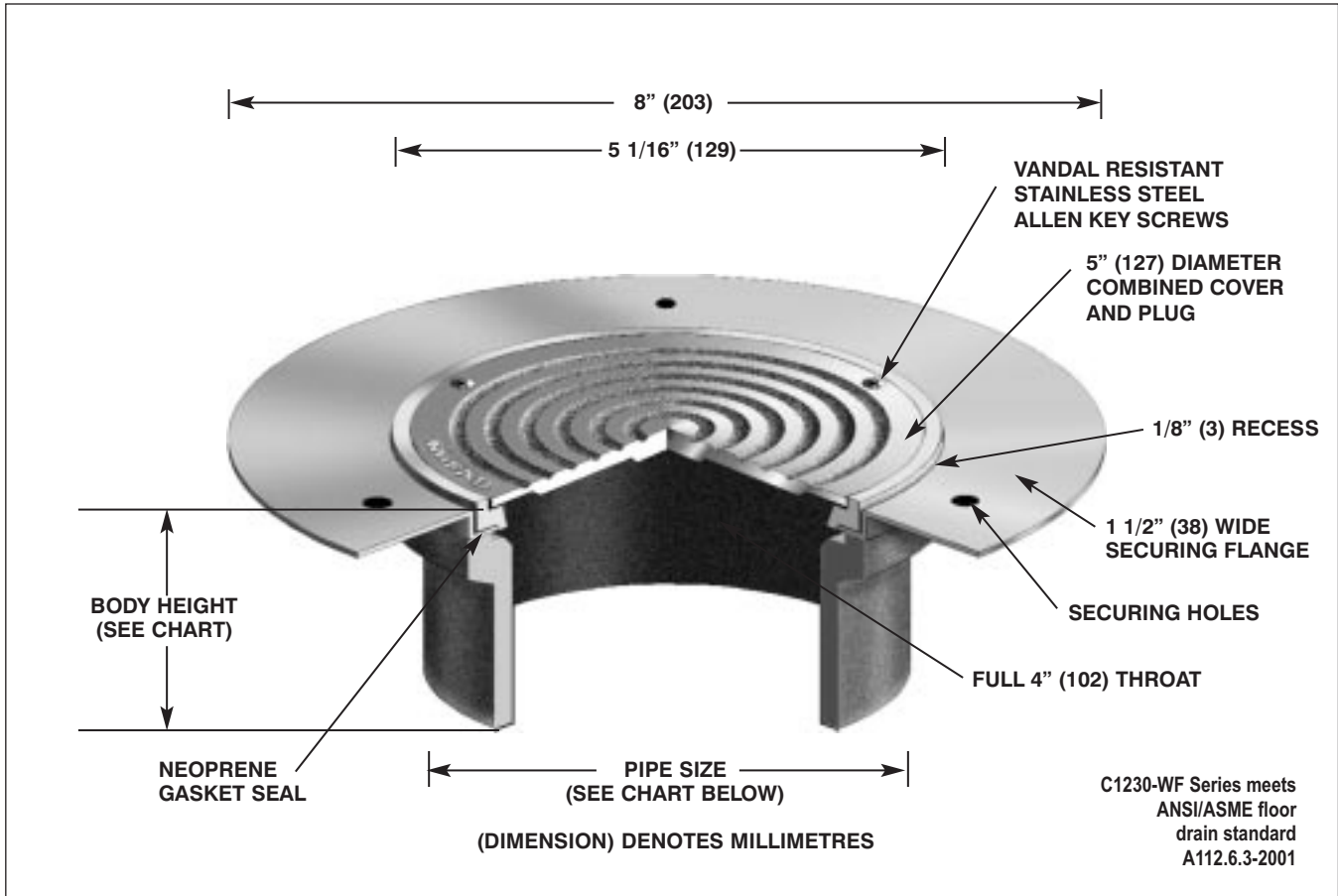


C1230-WF

FLOOR CLEANOUT FOR WOOD FLOOR INSTALLATIONS

Specification: MIFAB C1230-WF Series lacquered cast iron wood floor cleanout with 1 1/2" (38) wide securing flange, and satin finished nickel bronze combined gasketed access cover and plug.

Function: Used in finished floors to provide emergency access to the plumbing lines for removal of blockages. Cleanout has a non-adjustable top and a 1 1/2" wide securing anchor flange to wood decks.



COVER/ PLUG DIAMETER	ANSI/ASME RATING LOAD RATING		PIPE SIZE	BODY HEIGHT			
	N.B. (-1)	D.I. (-4)		CAST IRON BODY (NO HUB OUTLET)	PVC BODY (-30)	ABS BODY (-31)	CAST IRON BODY (PUSH ON OUTLET)
5" (127)	UP TO 4,999 LBS.	5,000 TO 7,499 LBS.	2" (51)	2 1/2" (63)	2 15/16" (75)	2 15/16" (75)	—
			3" (76)	2 1/2" (63)	2 15/16" (75)	2 15/16" (75)	—
			4" (102)	2 1/2" (63)	2 15/16" (75)	2 15/16" (75)	3"

SUFFIX OPTIONAL VARIATIONS:

- 1 Nickel bronze cover/plug
- 4 Ductile iron cover/plug
- 6 Security screws (TR25 Torx & pin)
- 11 Acid resistant epoxy coated body
- 13 Galvanized body
- 30 PVC socket connection body
- 31 ABS socket connection body
- 34 Secondary closure plug

SUFFIX

- 95 Special marking etched into top (SAN for sanitary or GW for Grease Waste)
- ARRA ARRA (Stimulus Act) compliant product
- BA Buy American Act compliant product
- PA Pennsylvania Steel Act compliant product
- P Push on outlet (4" only)
- Z Extended wide elastomeric flange

Job Name: _____
 Section No: _____
 Schedule No: _____

Page No: _____
 Contractor: _____
 Purchase Order No: _____