

Location: _____

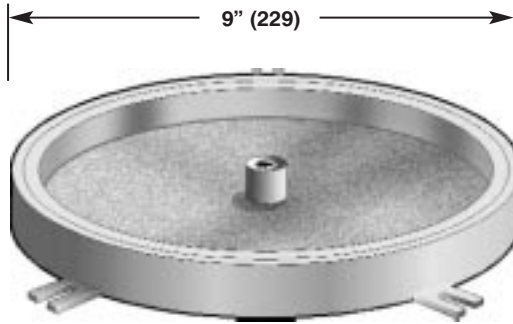


C1300-UR/US

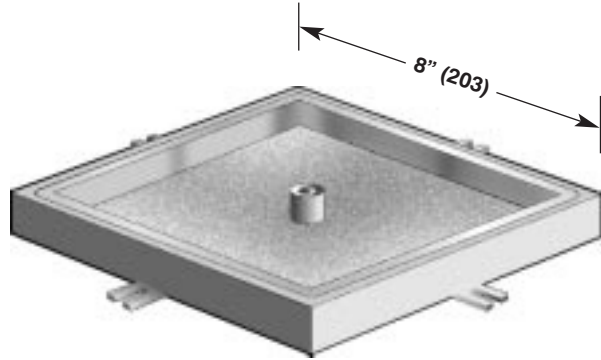
FLOOR ACCESS COVERS RECESSED FOR TERRAZZO

Specification: MIFAB C1300-____ (select model number: C1300-UR for round terrazzo, C1300-US for square terrazzo) nickel bronze recessed access cover with nickel bronze frame, anchor lugs, and vandal resistant stainless steel screw(s).

Function: Used in finished floors to provide emergency access to plumbing lines for removal of blockages. Recessed cover provides area for floor tile to be installed. Anchor tabs provide a means to secure frame to the sub floor.



C1300-UR-1



C1300-US-1

MODEL NUMBER	DESCRIPTION
C1300-UR-1	9" round terrazzo recessed access cover
C1300-US-1	8" x 8" terrazzo recessed access cover

C1300 Series meets ANSI/ASME floor drain standard A112.6.3-2001

SUFFIX OPTIONAL VARIATIONS:

- 6 Security screws (TR25 Torx & pin)
- ARRA ARRA (Stimulus Act) compliant product
- BA Buy American Act compliant product
- PA Pennsylvania Steel Act compliant product

Job Name: _____ Page No: _____
 Section No: _____ Contractor: _____
 Schedule No: _____ Purchase Order No: _____