

Location: _____

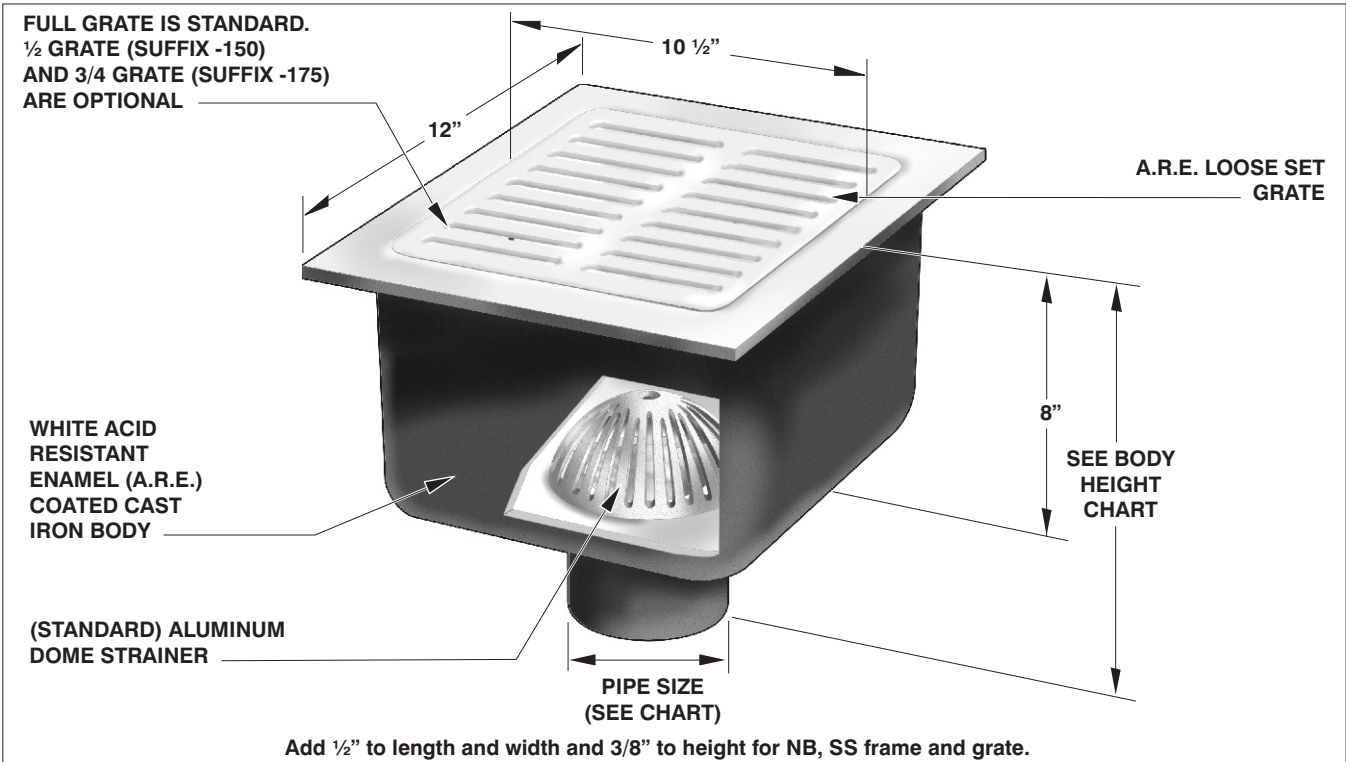


FS1730

**12" x 12" 8" FLOOR AREA AND
INDIRECT SANITARY WASTE DRAIN**

Specification: MIFAB Series FS1730, 12" x 12" x 8" deep cast iron floor area and indirect sanitary waste drain complete with white acid resistant porcelain enamel coated interior and loose set grate. Anti-splash aluminum dome strainer included.

Function: Used in kitchens, restaurants, grocery stores, hospitals, schools, and other areas that require a large volume sanitary drain. Also suitable for indirect waste applications. The light duty grate is not recommended for foot traffic.



PIPE SIZE	BODY HEIGHT				
	NO HUB (STANDARD)	PUSH ON (P)	THREADED (T)	INSIDE CAULK (X)	PVC/ABS (-30)/(-31)
2" (51)	9 3/4" (248)	*10 7/8" (276)	*10 1/2" (267)	*12" (305)	*11 1/4" (286)
3" (76)	9 3/4" (248)	9 3/4" (248)	*10 7/8" (276)	*12" (305)	*11 1/4" (286)
4" (102)	*10 1/2" (267)	*10 7/8" (276)	*10 7/8" (276)	**10 5/8" (270)	*11 1/4" (286)

*Indicates outlet size and connection available with transition outlet body only

**4" Inside Caulk Outlet body only available with -FL anchor flange
Outlet sizes indicated by the * are available with the transition outlet body only

SUFFIX	OPTIONAL VARIATIONS:	SUFFIX		SUFFIX	
-1	Nickel bronze frame and grate	-32	Deep seal trap with flushing connection	(Standard)	No hub outlet
-3	Stainless steel frame and grate	-50	A.R.E. coated cast iron funnel	-C	Membrane clamp with hardware
-5	Sediment bucket	-51	2 1/2" round center hole in grate (-1, -3 only)	-F4	4" round funnel
-6	Security screws (1, -3 only, T-20 Torx and pin)	-69	Stainless steel sediment bucket	-F6	6" round funnel
-7	1/2" trap seal primer connection	-83	Stainless steel mesh screen over sediment bucket	-FL	Anchor flange
-8	Backwater valve	-90	Threaded side outlet	-G	4" x 9" oval funnel
-9	Hinged grate (-1, -3 only)	-90NH	No hub side outlet	-J	3" x 1" oval funnel
-21	Secondary flat stainless steel strainer	-95	Client logo (-1, -3 only)	P	Push on outlet
-22	Less grate	-150	1/2" grate	-PA	Pennsylvania Steel Act compliant product
see FS1930-FL	Stainless steel body (Type 304)	-175	3/4" grate	T	Threaded outlet
see FS1930-FL	Stainless steel body (Type 316)	-BA	Buy American Act compliant product	X	Inside caulk outlet
-30	PVC outlet			-Z	Extended wide elastomeric flange (with -FL only)
-31	ABS outlet				

Job Name: _____ Page No: _____
 Section No: _____ Contractor: _____
 Schedule No: _____ Purchase Order No: _____

MIFAB reserves the right to make changes in material and design without formal notice and obligation.

USA: 1-800-465-2736 www.mifab.com CAN: 1-800-387-3880