

Location: _____

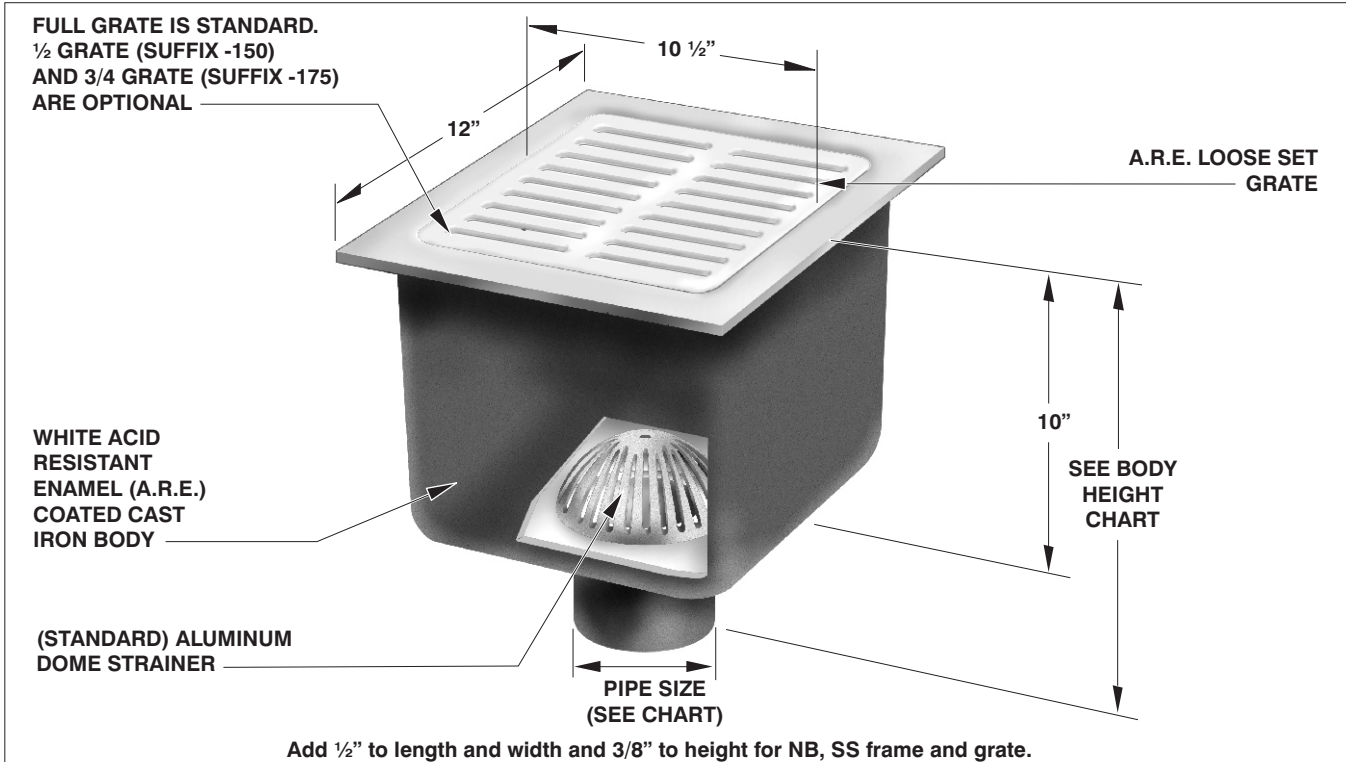


FS1740

12" x 12" 10" FLOOR AREA AND INDIRECT SANITARY WASTE DRAIN

Specification: MIFAB Series FS1740, 12" x 12" x 10" deep cast iron floor area and indirect sanitary waste drain complete with white acid resistant porcelain enamel coated interior and loose set grate. Anti-splash aluminum dome strainer included.

Function: Used in kitchens, restaurants, grocery stores, hospitals, schools, and other areas that require a large volume sanitary drain. Also suitable for indirect waste applications. The light duty grate is not recommended for foot traffic.



| PIPE SIZE | BODY HEIGHT | | | | |
|-----------|-------------------|----------------|----------------|------------------|---------------------|
| | NO HUB (STANDARD) | PUSH ON (P) | THREADED (T) | INSIDE CAULK (X) | PVC/ABS (-30)/(-31) |
| 2" (51) | *12 1/2" (318) | *12 7/8" (327) | *12 1/2" (318) | *14" (356) | *13 1/4" (337) |
| 3" (76) | *12 1/2" (318) | *12 7/8" (327) | *12 7/8" (327) | *14" (356) | *13 1/4" (337) |
| 4" (102) | *12 1/2" (318) | *12 7/8" (327) | *12 7/8" (327) | **12 5/8" (321) | *13 1/4" (337) |

*Indicates outlet size and connection available with transition outlet body only

**4" Inside Caulk Outlet body only available with -FL anchor flange
Outlet sizes indicated by the * are available with the transition outlet body only

| SUFFIX | OPTIONAL VARIATIONS: | SUFFIX | | SUFFIX | |
|---------------|---|--------|--|------------|--|
| -1 | Nickel bronze frame and grate | -32 | Deep seal trap with flushing connection | (Standard) | No hub outlet |
| -3 | Stainless steel frame and grate | -50 | A.R.E. coated cast iron funnel | -C | Membrane clamp with hardware |
| -5 | Sediment bucket | -51 | 2 1/2" round center hole in grate (-1, -3 only) | -F4 | 4" round funnel |
| -6 | Security screws (1, -3 only, T-20 Torx and pin) | -69 | Stainless steel sediment bucket | -F6 | 6" round funnel |
| -7 | 1/2" trap seal primer connection | -83 | Stainless steel mesh screen over sediment bucket | -FL | Anchor flange |
| -8 | Backwater valve | -90 | Threaded side outlet | -G | 4" x 9" oval funnel |
| -9 | Hinged grate (-1, -3 only) | -90NH | No hub side outlet | -J | 3" x 1" oval funnel |
| -21 | Secondary flat stainless steel strainer | -95 | Client logo (-1, -3 only) | P | Push on outlet |
| -22 | Less grate | -150 | 1/2" grate | -PA | Pennsylvania Steel Act compliant product |
| see FS1940-FL | Stainless steel body (Type 304) | -175 | 3/4" grate | T | Threaded outlet |
| see FS1940-FL | Stainless steel body (Type 316) | -BA | Buy American Act compliant product | X | Inside caulk outlet |
| -30 | PVC outlet | | | -Z | Extended wide elastomeric flange (with -FL only) |
| -31 | ABS outlet | | | | |

Job Name: _____ Page No: _____
 Section No: _____ Contractor: _____
 Schedule No: _____ Purchase Order No: _____

MIFAB reserves the right to make changes in material and design without formal notice and obligation.

USA: 1-800-465-2736 www.mifab.com CAN: 1-800-387-3880