

Location: _____

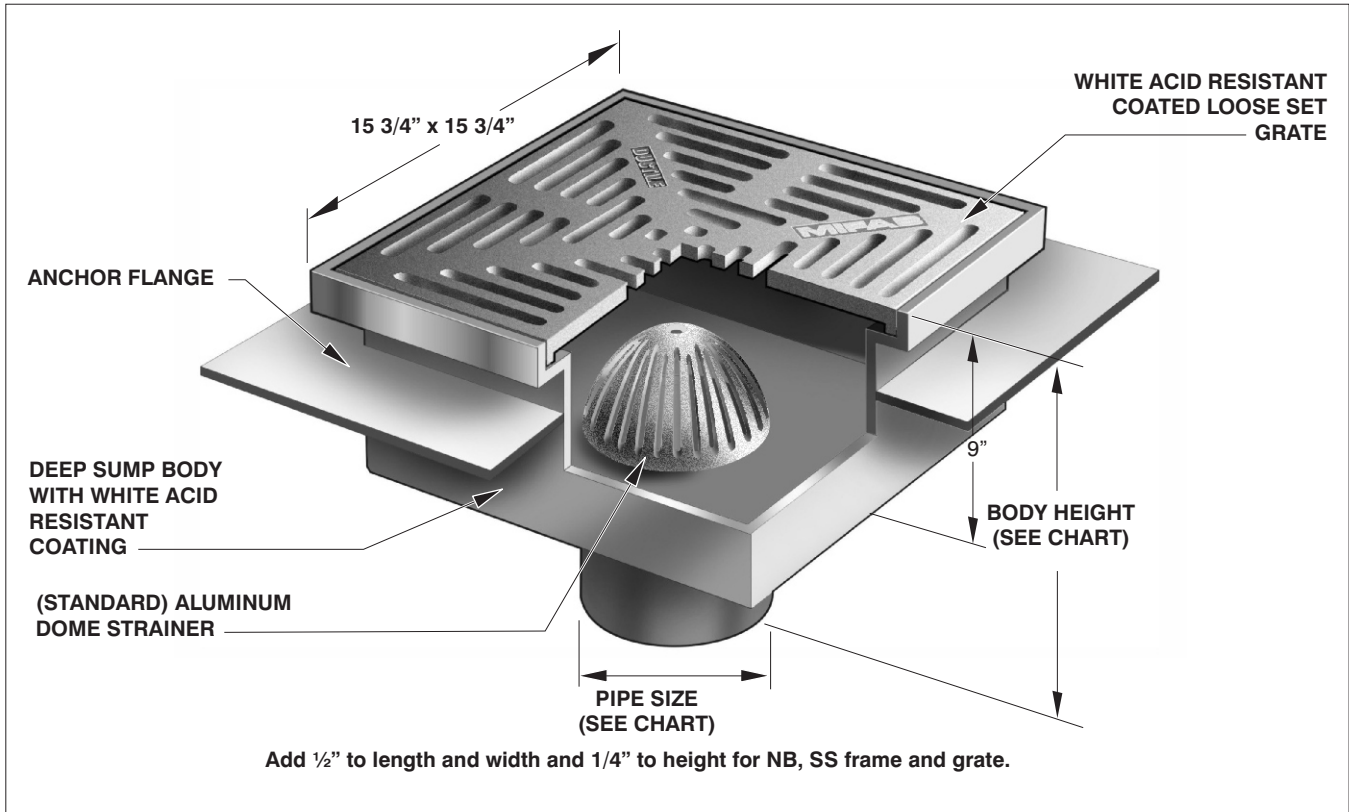


FS1770-FL

16" x 16" x 9" DEEP FLOOR AREA AND INDIRECT SANITARY WASTE DRAIN WITH FLANGE

Specification: MIFAB Series FS1770-FL, 16" x 16" x 9" deep floor area and indirect sanitary waste drain complete with white acid resistant coated steel interior and heavy duty ductile iron loose set grate with white acid resistant coating and anchor flange. Anti-splash aluminum dome strainer included.

Function: Used in kitchens, restaurants, grocery stores, hospitals, schools, and other commercial areas that require a large volume sanitary drain and anchor flange for waterproof membrane installations. Also suitable for indirect waste applications.



PIPE SIZE	BODY HEIGHT				
	NO HUB (STANDARD)	PUSH ON (P)	THREADED (T)	INSIDE CAULK (X)	PVC/ABS (-30)/(-31)
2" (51)	12" (305)	12 3/8" (314)	11 1/4" (285)	12 3/4" (324)	11 15/16" (303)
3" (76)	12" (305)	12 3/8" (314)	11 5/8" (295)	12 3/4" (324)	12 3/4" (324)
4" (102)	12" (305)	12 3/8" (314)	11 5/8" (295)	12 3/4" (324)	12 3/4" (324)

Note: All of MIFAB's FS1770 drains are manufactured with transition outlet bodies only.

SUFFIX	OPTIONAL VARIATIONS:	SUFFIX		SUFFIX	
-1	Nickel bronze frame and grate	-50	A.R.E. coated cast iron funnel	(Standard)	No hub outlet
-3	Stainless steel frame and grate	-51	2 1/2" round center hole in grate (-1, -3 only)	-C	Membrane clamp with hardware
-5	Sediment bucket	-69	Stainless steel sediment bucket	-F4	4" round funnel
-6	Security screws (1, -3 only, T-20 Torx and pin)	-83	Stainless steel mesh screen over sediment bucket	-F6	6" round funnel
-7	1/2" trap seal primer connection	-90	Threaded side outlet	-G	4" x 9" oval funnel
-8	Backwater valve	-90NH	No hub side outlet	-J	3" x 1" oval funnel
-21	Secondary flat stainless steel strainer	-95	Client logo (-1, -3 only)	P	Push on outlet
-22	Less grate	-150	1/2" grate	-PA	Pennsylvania Steel Act compliant product
-30	PVC outlet	-175	3/4" grate	T	Threaded outlet
-31	ABS outlet	-BA	Buy American Act compliant product	X	Inside caulk outlet
-32	Deep seal trap with flushing connection			-Z	Extended wide elastomeric flange (with -FL only)

Job Name: _____	Page No: _____
Section No: _____	Contractor: _____
Schedule No: _____	Purchase Order No: _____

MIFAB reserves the right to make changes in material and design without formal notice and obligation.

USA: 1-800-465-2736 www.mifab.com CAN: 1-800-387-3880