



Use



P Series 10 Gallon Stationary Whirlpool P-10-S



Product photo/image above may show some available options

Whitehall P-10-S Stationary Whirlpool is recommended for treatment of the foot and ankle area.

Tank Capacity is 10 gallons.

Whirlpool Tank is 22"L x 13"W x 12"D and is seamless welded construction, fabricated from heavy gauge, type 304 stainless steel, polished to a satin finish. Tank rim is reinforced with a concealed stainless steel rod. Tank bottom is seamless, rounded coved design to minimize bacteria buildup. Tank is also provided with an extended stainless steel skirt flush to the floor line to conceal internal drain piping.

A 2" Combination Drain and Overflow, and a Filler spout are provided. (See roughing-in dimensions on the reverse side).

Turbine Raising and Lowering Device permits adjustment of desired height and direction of water agitation towards the area of the body to be treated. It is spring balanced and provided with a locking device.

Turbine Assembly functions both as agitator and emptying device. It is equipped with Underwriters Laboratory listed 1/2 HP jet pump motor protected with an ABS plastic shell, and automatic thermal overload protector, and lifetime-sealed bearings. All parts contacting the water are stainless steel, chrome plated brass or bronze.

Thermometer is provided with a dual scale, adjustable calibration, and a stem inserts into a retainer to prevent rattle during whirlpool agitation.

GUIDE SPECIFICATIONS

Provide Whitehall Stationary Whirlpool (specify model number and options) with a 10-gallon capacity, 22"L x 13"W x 12"D. Whirlpool shall be fabricated from heavy gauge, type 304 stainless steel. Construction shall be seamless welded and exposed surfaces shall be polished to satin finish. Tank shall have a reinforced rim and shall be fitted with a stainless steel skirt flush to the floor line. Bottom of tank shall be a seamless, rounded coved design to minimize bacteria build up. Provide a 2" combination drain and overflow, and a filler spout. Provide a turbine assembly with raising and lowering device which functions both as agitator and emptying device, permits adjustment of desired height, direction of water agitation, and can be locked into place. Turbine assembly shall be UL listed 1/2 HP jet pump motor with automatic thermal overload protector, and lifetime-sealed bearings. Provide a thermometer with a stem retainer to prevent rattle when whirlpool is in operation.



Whitehall Manufacturing™

Podiatry Whirlpools

Series

- P Podiatry Series

Capacity

- 10 Gallons

Type

- S Stationary Whirlpool

Suffix Options (See Whirlpool Option Section for Details)

- ALC Adjustable Low Chair
- ALS Adjustable Low Stool
- EG Enviro Glaze Color Powder Coating -
Specify Color: _____
(Special Finish Consult Factory)

MODEL NUMBER AND OPTION SELECTIONS

- GFI Ground Fault Interrupter
- MXT1 Thermostatic Mixing Valve (15 G.P.M.)
- MXWH Washout Hose Attachment for MXT Valves
- PCS Pump Cover Strainer
- SDO Separate Drain and Overflow Assembly
- WLS Water Level Sensor

Turbine Assembly

Electrical on standard turbine supplied is 115 V 60 Hz
if 220 V is required please specify:

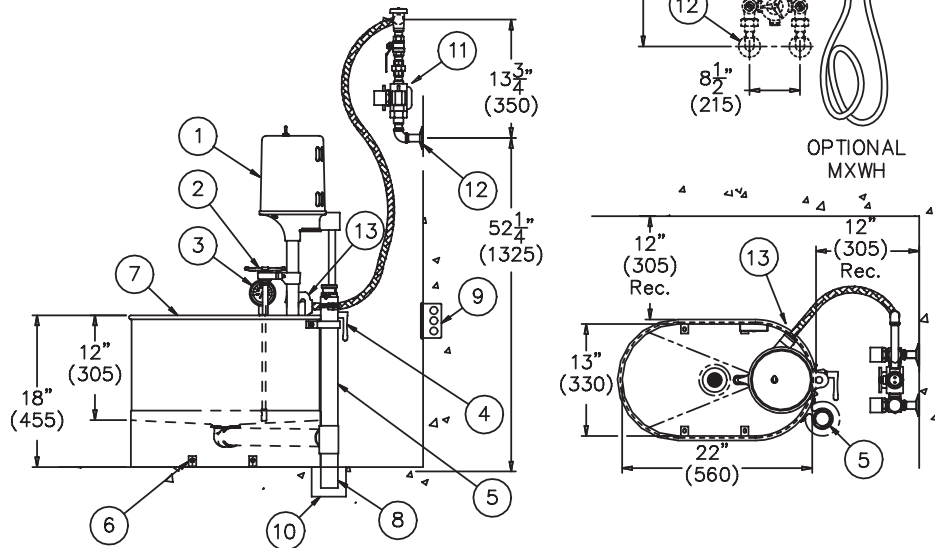
- 50 Hz
- 60 Hz

Note: Electrical requirements are 8 Amps / 115 Volts/ 60Hz/ 3 Pole GFI Receptacle.



All dimension figures
in parentheses are in
millimeters.

VALVE	INLETS	OUTLET
MXT1 (15 GPM)	1/2" NPT	1/2" NPT



STATIONARY P-10-S SERIES WHIRLPOOL

NOTES:

- 1/2 hp Jet Pump Motor.
- Variable Pressure Control.
- Thermometer.
- Turbine Raising & Lowering Device.
- Combination Drain & Overflow Assembly.
- "L" Brackets -Four Each.
- Stainless Steel Tank.
- 2" O.D. x 5" Tail Piece.
- 3 Pole GFI Receptacle by Others.
- Floor Drain by Others.
- Optional Thermostatic Mixing Valve with Vacuum Breaker.
- H & C Water Inlets by Others.
- Filler Spout.

All dimensions are nominal and subject to manufacturer's change without notice. Whitehall assumes no responsibility for use of void or suspended data. © 2008 Whitehall Manufacturing, A Division of Acorn Engineering Company. Please visit www.whitehallmfg.com for most current specifications.

SELECTION SUMMARY & APPROVAL FOR MANUFACTURING

Model Number & Options _____ Quantity _____
 Company _____ Date _____
 Contact _____ Title _____
 Approval for Manufacturing/Signature _____