



Paratherapy Stationary Paraffin Tanks Models PT-6-S, PT-18-S

Shown from Left to Right
PT-18-S and PT-6-S



Product photo/image above may show some available options

PT-6-S Stationary Paraffin Tank provides a simple, effective method of applying heat to the surface of body extremities where conditions indicate a need for increased circulation. The tank shall be used for a paraffin hand bath. The PT-6-S Model is most appropriate for a small clinic.

Tank Capacity is 6 lbs. (2.72 kgs) of paraffin.

The entire unit is fabricated of durable 22 gage stainless steel. The strength of stainless steel provides a durable advantage over the many competitive brands made of plastic.

Inner Tank is 11-3/4"L x 5-3/4"W x 5-3/4"D and is bolted to the outer tank. The tank is insulated and thermostatically controlled. The tank is furnished with a cover.

Power Indicator light indicates that the paraffin is heating.

GUIDE SPECIFICATIONS

Provide a Stationary Paraffin Tank with a 6 lbs. (2.72 kgs.) capacity, 11-3/4"L x 5-3/4"W x 5-3/4"D. Paraffin Tank shall be fabricated of double walled insulated stainless steel. Power indicator light is provide.

PT-18-S Stationary Paraffin Tank provides a simple, effective method of applying heat to the surface of body extremities where conditions indicate a need for increased circulation. The tank shall be used for an arm or hand paraffin bath. This unit is appropriate for a larger medical facility.

Tank Capacity is 18 lbs. (8.16 kgs.) of paraffin. Only Whitehall provides a stationary paraffin tank with this large of a capacity.

The entire unit is fabricated of durable 22 gage stainless steel. The strength of stainless steel provides a durable advantage over the many competitive brands made of plastic.

Inner Tank is 19-3/4"L x 11-1/2"W x 5-3/4"D and is bolted to the outer tank. The tank is insulated and thermostatically controlled. The tank is furnished with a cover.

Power Indicator light indicates that the paraffin is heating.

GUIDE SPECIFICATIONS

Provide a Stationary Paraffin Tank with a 18 lbs. (8.16 kgs.) capacity, 19-3/4"L x 11-1/2"W x 5-3/4"D. Paraffin Tank shall be fabricated of double walled insulated stainless steel. Power indicator is provided.



Whitehall Manufacturing

Paraffin Therapy

MODEL NUMBER AND OPTION SELECTIONS

Series

- PT Paraffin Tank

Capacity

- 6 lbs. (2.72 kg.)
- 18 lbs. (8.16 kg.)

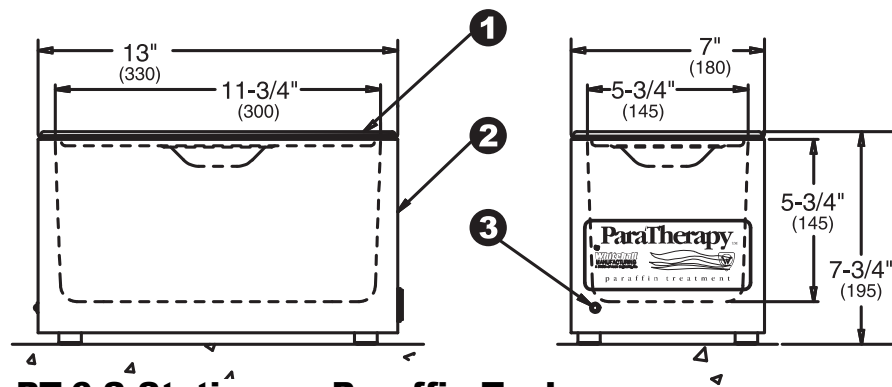
Type

- S Stationary

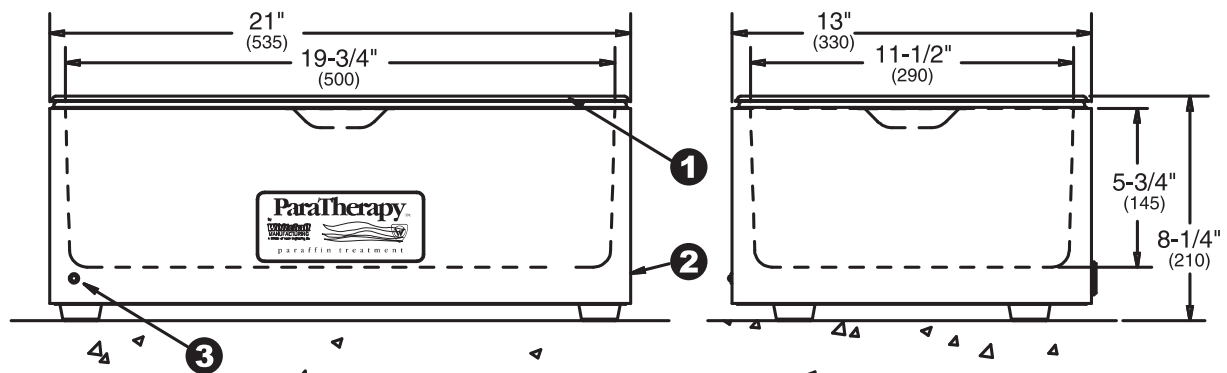
Suffix Options

None

All dimension figures in parentheses are in millimeters.

**NOTES:**

- 1) Stainless Steel Lid
- 2) Paraffin Tank
- 3) Power Indicator

PT-6-S Stationary Paraffin Tank**PT-18-S Stationary Paraffin Tank**

All dimensions are nominal and subject to manufacturer's change without notice. Whitehall assumes no responsibility for use of void or suspended data. © 2005 Whitehall Manufacturing, A Division of Acorn Engineering Company. Please visit www.whitehallmfg.com for most current specifications.

SELECTION SUMMARY & APPROVAL FOR MANUFACTURING

Model Number & Options _____ Quantity _____
 Company _____ Date _____
 Contact _____ Title _____
 Approval for Manufacturing/Signature _____

Whitehall Mfg. > P.O. Box 3527 > City of Industry, CA 91744 > (800) 782-7706 > (626) 968-6681 > FAX (626) 855-4862