

Location: _____

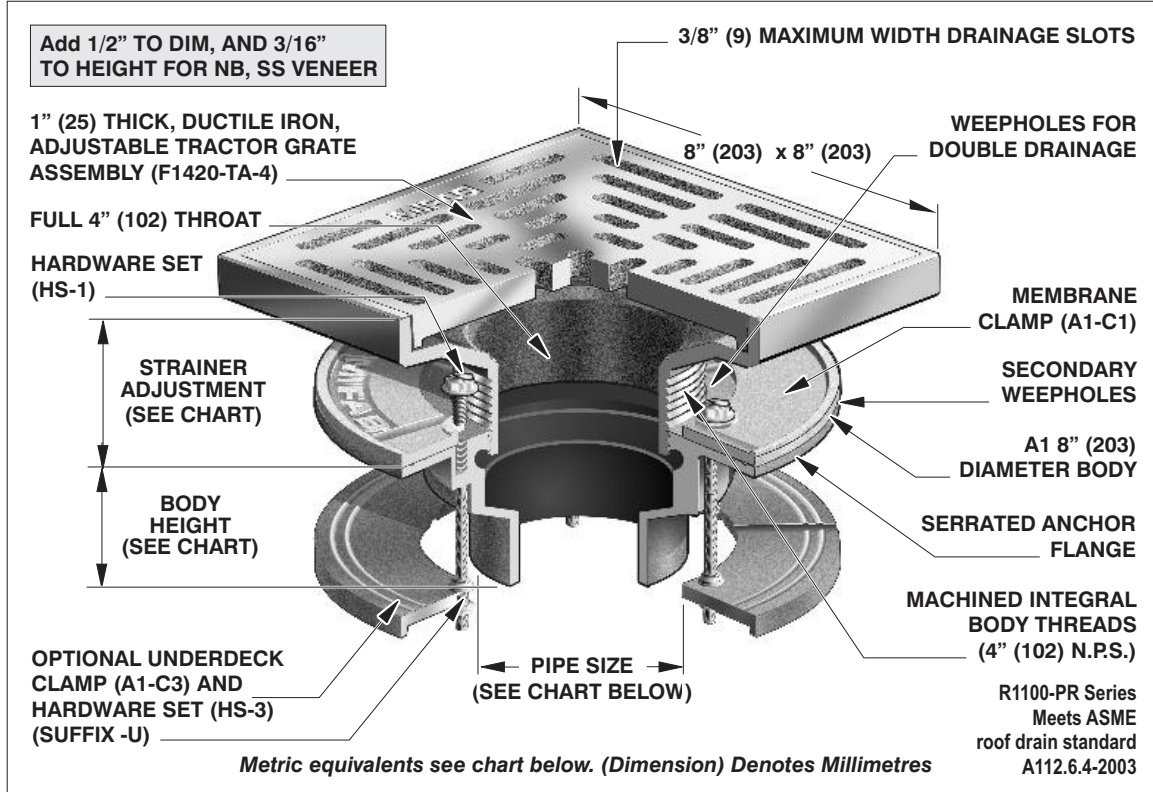


R1100-PR

PROMENADE DECK DRAIN

Specification: MIFAB® Series R1100-PR lacquered cast iron roof drain with anchor flange, cast iron waterproofing membrane clamp ring, and standard 1" (25) thick, 8" (203) square adjustable ductile iron tractor grate with 3/8" (9) maximum width drainage slots and a free area of 26 square inches.

Function: Used in any type of flat roofs and gutters designed for promenade or recreational areas. Square top blends in with tile and brick patterns and has enough free area for efficient drainage of rainwater. Narrow, 3/8" (9) drainage slots prevent debris from entering the drain line. 8" diameter body is ideal for applications with limited space. Anchor flange and membrane clamp with tongue in groove design provides for secure grip of membrane and roof flashing materials.



PARTS:



A1 BODY



F1420-TA-4



A1-C1



HS-1

Note: Deck opening - 6 3/8" (162) with sump receiver - 8 1/2" (216)

Note: When used in exterior areas and subject to rainfall, ensure that the free area is equal to twice the transverse (cross sectional) area of the connecting pipe.

STRAINER DIAMETER	STRAINER ADJUSTMENT		ANSI/ASME RATING		PIPE SIZE	BODY HEIGHT				
	MIN	MAX	FREE AREA	LOAD RATING		NO HUB (STANDARD)	PUSH ON (P)	THREADED (T)	INSIDE CAULK (X)	PVC/ABS (-30)/(-31)
8" x 8" (203) x (203)	1 3/4" (45)	2 5/8" (67)	26 in ² (16,800 ²)	ANSI/ASME	2" (51)	3" (76)	3 3/8" (86)	2 1/4" (57)	3 3/4" (95)	2 15/16" (75)
				LOAD CLASS	3" (76)	3" (76)	3 3/8" (86)	2 5/8" (67)	3 3/4" (95)	3 1/2" (89)
				"SPECIAL DUTY" (OVER 10,000 LBS.)	4" (102)	3" (76)	3 3/8" (86)	2 5/8" (67)	3 3/4" (95)	3 1/2" (89)
					5" (127)	3" (76)	—	2 5/8" (67)	6 7/8" (95)	—
					6" (152)	3 1/4" (83)	6 1/2" (165)	—	—	

SUFFIX OPTIONAL VARIATIONS:

- 1 Nickel bronze (vener)
- 3 Stainless steel (vener)
- 4 Ductile iron grate (standard)
- 5 Sediment bucket
- 6 Vandal proof
- 11 Acid resistant epoxy coating
- 12 Galvanized top assembly
- 13 Galvanized body, membrane clamp and top assembly
- 15 Adjustable extension
- 21 Secondary flat stainless steel strainer (2",3",4")

SUFFIX

- 28 Stainless steel body (Type 304) (2",3",4")
- 30 PVC socket connection body
- 31 ABS socket connection body
- 34 Closure plug
- 90 Threaded side outlet (2",3",4")
- 90NH No Hub side outlet (cast iron only) (2",3",4")
- 95 Client logo
- (Standard) No hub outlet
- ARRA ARRA (Stimulus Act) compliant product
- B Sump receiver
- BA Buy American Act Compliant product

SUFFIX

- P Push on outlet (2",3",4")
- PA Pennsylvania Steel Act compliant product
- T Threaded outlet (2",3",4")
- U Underdeck clamp
- U3 Underdeck clamp with cutaway side
- W-1 Water proofing flange
- X Inside caulk outlet (2",3",4")
- XJ Vertical expansion joint (see R1900)
- Z Extended wide elastometric flange

Job Name: _____ Page No: _____
 Section No: _____ Contractor: _____
 Schedule No: _____ Purchase Order No: _____

MIFAB reserves the right to make changes in material and design without formal notice and obligation.