

Location: \_\_\_\_\_

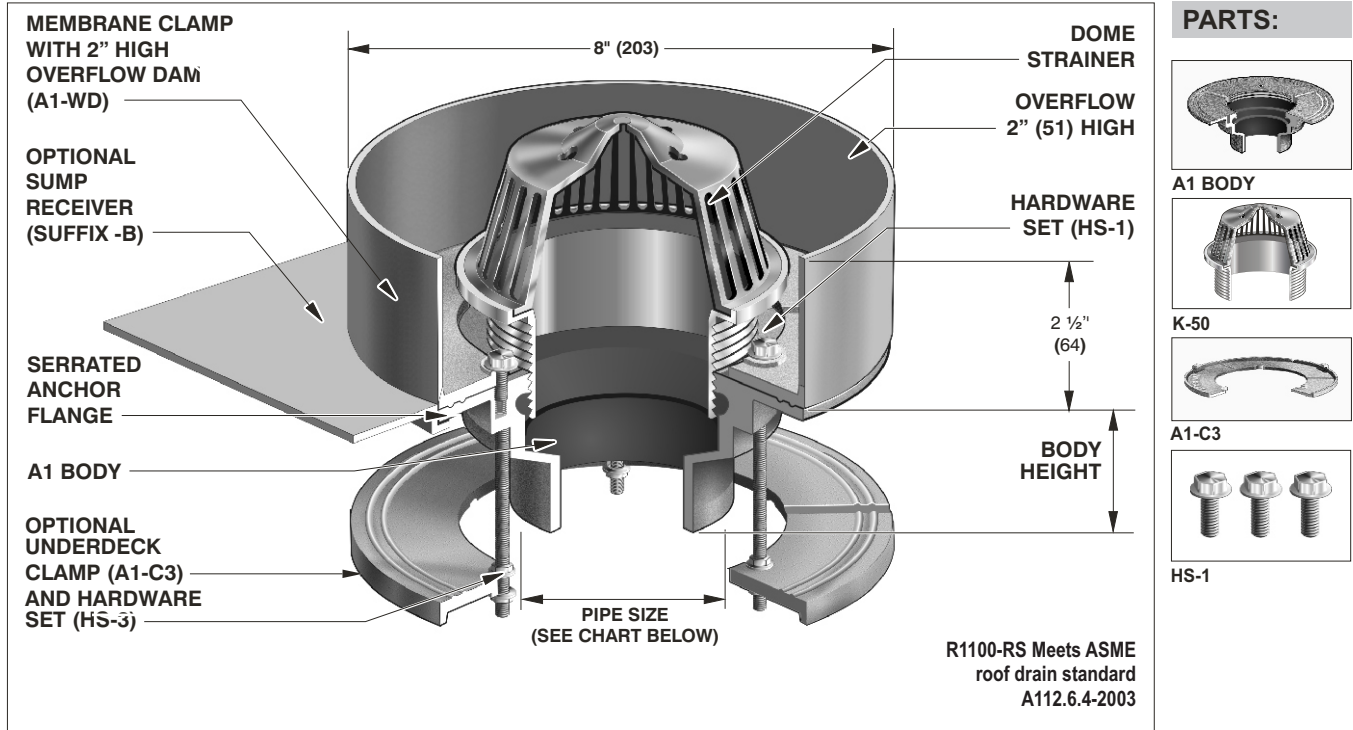


# R1100-RS

## ROOF DECK CONDENSATE RECEPTOR DRAIN

**Specification:** MIFAB® Series R1100-RS lacquered cast iron roof deck condensate receptor drain with anchor flange, cast iron waterproofing membrane clamp ring with integral gravel stop, overflow and cast iron dome strainer.

**Function:** Used in flat roofs and gutters to receive condensate and wastewater from air conditioners, cooling towers and other mechanical equipment. The 2" high external dam prevents storm water from entering the drain line and the dome strainer prevents debris from entering the drain line. The 8" diameter body is ideal for applications with limited space. Anchor flange and membrane clamp with tongue in groove design provides for secure grip of membrane and roof flashing materials.



**Note:** Deck opening - 6 3/8" (162) with sump receiver - 8 1/2" (216)

PIPE SIZE	BODY HEIGHT				
	NO HUB (STANDARD)	PUSH ON (P)	THREADED (T)	INSIDE CAULK (X)	PVC/ABS (-30)/(-31)
2" (51)	3" (76)	3 3/8" (86)	2 1/4" (57)	3 3/4" (95)	2 15/16" (75)
3" (76)	3" (76)	3 3/8" (86)	2 5/8" (67)	3 3/4" (95)	3 1/2" (89)
4" (102)	3" (76)	3 3/8" (86)	2 5/8" (67)	3 3/4" (95)	3 1/2" (89)
5" (127)	3" (76)	—	2 5/8" (67)	6 7/8" (175)	—
6" (152)	3 1/4" (83)	6 1/2" (165)	—	—	—

- SUFFIX**    **OPTIONAL VARIATIONS:**
- 3    Stainless steel dome
  - 6    Vandal proof dome
  - 11    Acid resistant epoxy coating
  - 12    Galvanized metal dome
  - 12A    Galvanized body and membrane clamp
  - 13    Galvanized body, membrane clamp and dome
  - 14    Flat grate (replaces dome strainer)
  - 15    Adjustable extension
  - 28    Stainless steel body (Type 304) (2", 3", 4")
  - 30    PVC socket connection body
  - 31    ABS socket connection body

- SUFFIX**
- 81    Rough bronze dome
  - 83    Stainless steel mesh screen over dome
  - 90    Threaded side outlet (cast iron only, 2", 3", 4")
  - 90NH    No Hub side outlet (cast iron only) (2", 3", 4")
  - (Standard)    No hub outlet
  - ARRA    ARRA (Stimulus Act) compliant product
  - B    Sump receiver
  - BA    Buy American Act Compliant product

- SUFFIX**
- P    Push on outlet
  - PA    Pennsylvania Steel Act compliant product
  - T    Threaded outlet (2", 3", 4")
  - U    Underdeck clamp
  - U3    Underdeck clamp with cutaway side
  - W-1    Water proofing flange
  - X    Inside caulk outlet (2", 3", 4")
  - XJ    Vertical expansion joint (see R1900)

Job Name: \_\_\_\_\_ Page No: \_\_\_\_\_  
 Section No: \_\_\_\_\_ Contractor: \_\_\_\_\_  
 Schedule No: \_\_\_\_\_ Purchase Order No: \_\_\_\_\_

MIFAB reserves the right to make changes in material and design without formal notice and obligation.