

Location: _____

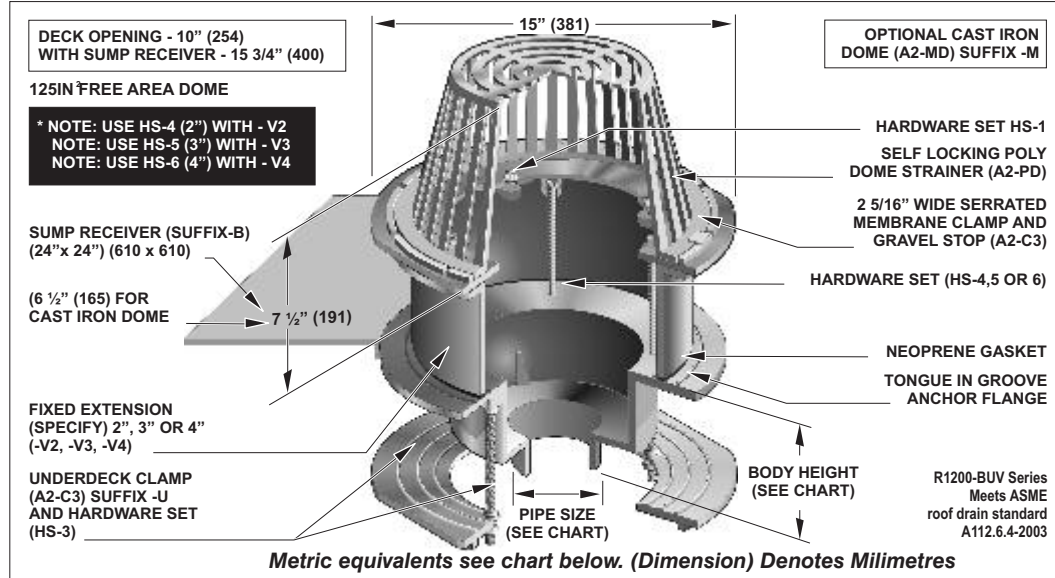


R1200-BUV

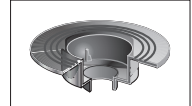
LARGE SUMP ROOF DRAIN WITH 2" THROUGH 4" FIXED EXTENSION, SUMP RECEIVER AND DECK CLAMP

Specification: MIFAB® Series R1200-BUV lacquered cast iron deep sump roof drain with 15" diameter anchor flange, sump receiver, gasketed fixed extension (specify height-2", 3" or 4" - V2,-V3 or -V4), underdeck clamp, cast iron waterproofing membrane clamp ring with integral gravel stop, and standard self-locking polyethylene dome strainer with a free area of 125 square inches.

Function: Used in any type of flat roofs. Large free area dome provides for efficient drainage of rain water and prevents debris from entering the drain line. Fixed extension available in various depths to match with insulation. Extra wide anchor flange and membrane clamp with tongue in groove design provides for secure grip of membrane and roof flashing materials.



PARTS:



A2 BODY



A2-PD



A2-C3



A2-BP

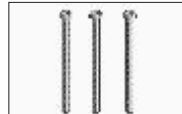


A2-V(*)

(*) Denotes fixed extension height (2", 3" or 4")
 (**) Denotes hardware size 4 for V2, 5 for V3 or 6 for V4



A2-VG



HS-()**



HS-3



HS-1

PIPE SIZE	BODY HEIGHT				
	NO HUB (STANDARD)	PUSH ON (P)	THREADED (T)	INSIDE CAULK (X)	PVC/ABS (-30)/(-31)
2" (51)	6" (152)	6 1/8" (156)	5 7/16" (138)	6 1/4" (159)	7 1/8" (181)
3" (76)	6" (152)	6 1/8" (156)	5 7/16" (138)	6 1/4" (159)	7 3/8" (187)
4" (102)	6" (152)	6 1/8" (156)	5 7/16" (138)	6 1/4" (159)	7 3/8" (187)
5" (127)	6" (152)	—	5 7/16" (138)	6 1/4" (159)	—
6" (152)	7 1/4" (184)	8" (203)	6" (152)	6 1/4" (159)	—
8" (203)	5 7/8" (149)	—	—	5 5/8" (A7-8X body)	—

SUFFIX OPTIONAL VARIATIONS:

- 6 Vandal proof dome (metal dome only)
- 11 Acid resistant epoxy coating
- 12 Galvanized metal dome
- 12A Galvanized body and membrane clamp
- 12B Galvanized metal dome and membrane clamp
- 13 Galvanized body, membrane clamp and dome
- 14 Flat grate (Replaces dome strainer)
- 28 Stainless steel body (fabricated) (Type 304)
- 30 PVC socket connection body
- 31 ABS socket connection body
- 81 Rough bronze dome
- 83 Stainless steel mesh screen over dome

SUFFIX

- 90 Threaded side outlet (2", 3", 4")
- 90NH No hub side outlet (2", 3", 4")
- (Standard) No hub outlet
- ARRA ARRA (Stimulus Act) compliant product Buy American Act
- BA Compliant product Buy American Act
- C Secondary clamp
- E Adjustable extension
- EG Galvanized adjustable extension
- F1, -F2, -F3 Accuflow (parabolic weir) specify
- G Stainless steel ballast guard
- JC S.S. Ballast guard with secondary clamp
- M Cast iron dome
- M-80 Low profile aluminum dome

SUFFIX

- P Push on outlet (2", 3", 4", 6")
- PA Pennsylvania Steel Act compliant product 2" external water dam
- R Threaded outlet (2", 3", 4", 6")
- U3 Underdeck clamp with cutaway side
- V Fixed Static Extension 2", 3", 4"
- VG Galvanized fixed extension (2", 3", 4")
- W Adjustable water dam (4" dia.)
- W-1 Water proofing flange
- W-2 2" internal water dam
- W-3 3" internal water dam
- W-4 4" internal water dam
- W-6 6" diameter adjustable water dam
- XJ Vertical expansion joint (see R1900)
- X Inside caulk outlet (2", 3", 4", 6")
- Z Extended wide elastomeric flange

Job Name: _____ Page No: _____
 Section No: _____ Contractor: _____
 Schedule No: _____ Purchase Order No: _____