

Location: _____

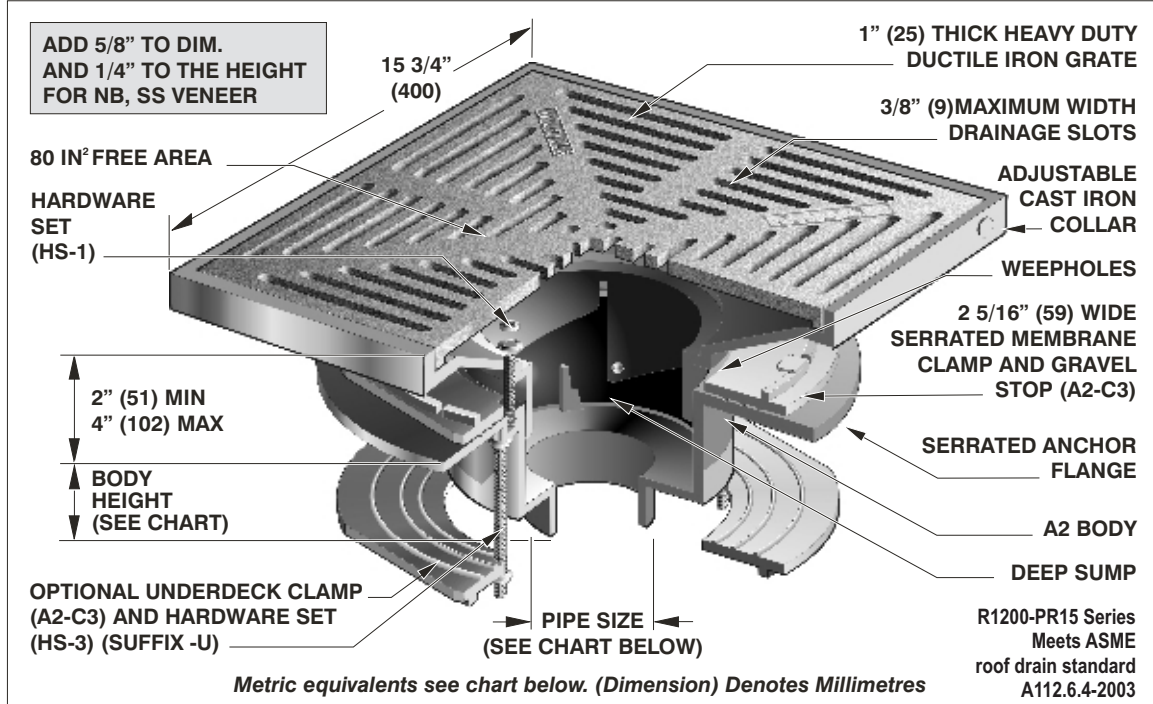


R1200-PR15

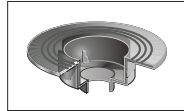
LARGE SUMP PROMENADE DECK DRAIN WITH 15" SQUARE TOP

Specification: MIFAB® Series R1200-PR15" lacquered cast iron deep sump roof drain with 15" diameter anchor flange, large cast iron waterproofing membrane clamp ring with integral gravel stop, square adjustable collar and standard 15" (381) square ductile iron tractor grate with 3/8" (9) maximum width drainage slots and a free area of 80 square inches.

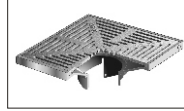
Function: Used in flat roofs and decks designed for promenade or recreational areas. Large square top blends in with tile and brick patterns and has enough free area for efficient drainage of rainwater. Narrow, 3/8" (9) drainage slots prevent debris from entering the drain line. Extra wide anchor flange and membrane clamp with tongue in groove design provides for secure grip of membrane and roof flashing materials. Specify MIFAB's double adjustable extension (Suffix -15) to enable one to adjust the extension independent of the top assembly to the required height and position. This unique design permits one to align the square drain with the square tile or a brick pattern.



PARTS:



A2 BODY



F1460-TA-4



A2-C3



HS-1

Note: Deck opening - 10" (254) with sump receiver 15 3/4" (400)

Note: When used in exterior areas and subject to rainfall, ensure that the free area is equal to twice the transverse (cross sectional) area of the connecting pipe.

PIPE SIZE	BODY HEIGHT				
	NO HUB (STANDARD)	PUSH ON (P)	THREADED (T)	INSIDE CAULK (X)	PVC/ABS (-30)/(-31)
2" (51)	6" (152)	6 1/8" (156)	5 7/16" (138)	6 1/4" (159)	7 1/8" (181)
3" (76)	6" (152)	6 1/8" (156)	5 7/16" (138)	6 1/4" (159)	7 3/8" (187)
4" (102)	6" (152)	6 1/8" (156)	5 7/16" (138)	6 1/4" (159)	7 3/8" (187)
5" (127)	6" (152)	—	5 7/16" (138)	6 1/4" (159)	—
6" (152)	7 1/4" (184)	8" (203)	6" (152)	6 1/4" (159)	—
8" (203)	5 7/8" (149)	—	—	5 5/8" (A7-8X body)	—

SUFFIX	OPTIONAL VARIATIONS:	SUFFIX	SUFFIX	
-1	Nickel bronze (vener)	-30	PVC socket connection body	
-3	Stainless steel (vener)	-31	ABS socket connection body	
-4	Ductile iron grate (Standard)	-90	Threaded side outlet (cast iron only, 2", 3", 4")	
-5	Sediment bucket	-90NH	No Hub side outlet (cast iron only)(2", 3", 4")	
-6	Vandal proof	-95	Client logo	
-11	Acid resistant epoxy coating	(Standard)	No hub outlet	
-12	Galvanized top assembly	-ARRA	ARRA (Stimulus Act) compliant product	
-12A	Galvanized body and membrane clamp	-B	Sump receiver	
-13	Galvanized body, membrane clamp and top assembly	-BA	Buy American Act	
-15	Adjustable extension	-HC	Compliant product	
-21	Secondary flat stainless steel strainer (2", 3", 4")		Adj. ballast guard with secondary clamp	
-28	Stainless steel body (fabricated) (Type 304)			
			-JC	S.S. ballast guard with secondary clamp
			P	Push on outlet (2", 3", 4", 6")
			-PA	Pennsylvania Steel Act compliant product
			T	Threaded outlet (2", 3", 4", 6")
			-U	Underdeck clamp
			-U3	Underdeck clamp with cutaway side
			-W-1	Water proofing flange
			X	Inside caulk outlet (2", 3", 4", 6")
			-XJ	Vertical expansion joint (see R1900)
			-Z	Extended wide elastometric flange

Job Name: _____ Page No: _____
 Section No: _____ Contractor: _____
 Schedule No: _____ Purchase Order No: _____

MIFAB reserves the right to make changes in material and design without formal notice and obligation.