

Location: _____

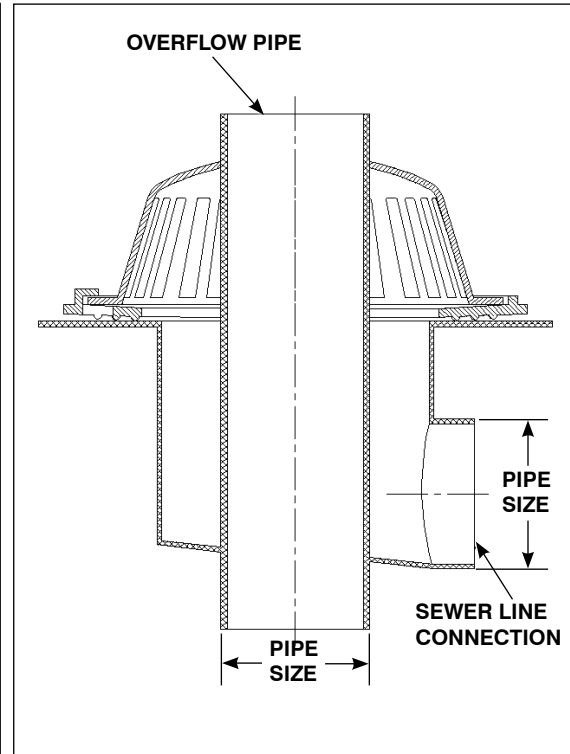
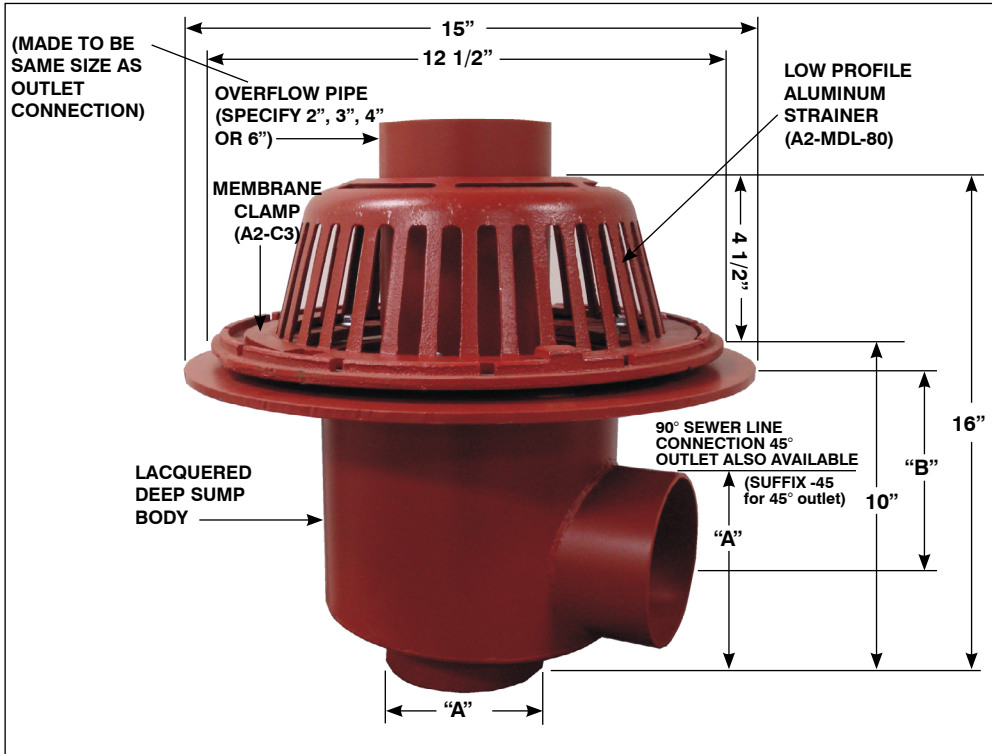


R1200-SO

LARGE SUMP DUAL OUTLET ROOF DRAIN

Specification: MIFAB Series R1200-SO lacquered fabricated deep sump roof drain with No Hub side and bottom outlet, 15" diameter anchor flange, large cast iron waterproofing membrane clamp ring with integral gravel stop, and standard self-locking low profile aluminum dome strainer.

Function: Used in any type of flat roofs. Large free area dome provides for efficient drainage of rainwater and prevents debris from entering the drain line. Extra wide anchor flange and membrane clamp with tongue in groove design provides for secure grip of membrane and roof flashing materials.



PART NUMBER	DIMENSIONS		
	"A" PIPE SIZE (NO HUB CONNECTION)	OVERFLOW PIPE SIZE	"B" DIMENSION SIDE OUTLET DEPTH
R1202-SO	2" (51)	2" (51)	6" (152)
R1203-SO	3" (76)	3" (76)	5 1/2" (140)
R1204-SO	4" (102)	4" (102)	5" (127)
R1206-SO	6" (152)	6" (152)	5" (127)

The R1200-SO Series meets the requirements of ANSI / ASME A112.6.4-2003

SUFFIX OPTIONAL VARIATIONS

- 6 Vandal proof domes
- 11 Acid resistant epoxy
- 12 Galvanized metal dome
- 12A Galvanized body and membrane clamp
- 12B Galvanized metal dome and membrane clamp
- 13 Galvanized body, membrane clamp and dome
- 45 45° No Hub outlet connection
- 81 Rough bronze dome
- 83 Stainless steel mesh screen over dome

SUFFIX OPTIONAL VARIATIONS

- B Sump Receiver 24" x 24" (A2-BP-SO)
- BA Buy American Act compliant product
- DU Fabricated, powder epoxy coated steel dome on overflow pipe 3", 4"
- DU-6 Fabricated, powder epoxy coated steel dome on overflow pipe 6"
- G Ballast guard
- HC Adjustable ballast guard with sec. clamp
- JC Ballast guard with secondary clamp
- M Cast iron dome

SUFFIX OPTIONAL VARIATIONS

- MS Stainless steel mesh screen on overflow pipe
- OP 2" high overflow pipe
- R 2" external water dam
- SS Secondary Strainer (Overflow)
- U Underdeck clamp
- U3 Underdeck clamp with cutaway side
- V Fixed extension, 2", 3", 4"
- VG Galvanized fixed extension (2", 3", 4")
- W-1 Water proofing flange

Job Name: _____ Page No: _____
 Section No: _____ Contract: _____
 Schedule No: _____ Purchase Order No: _____