

Location: _____



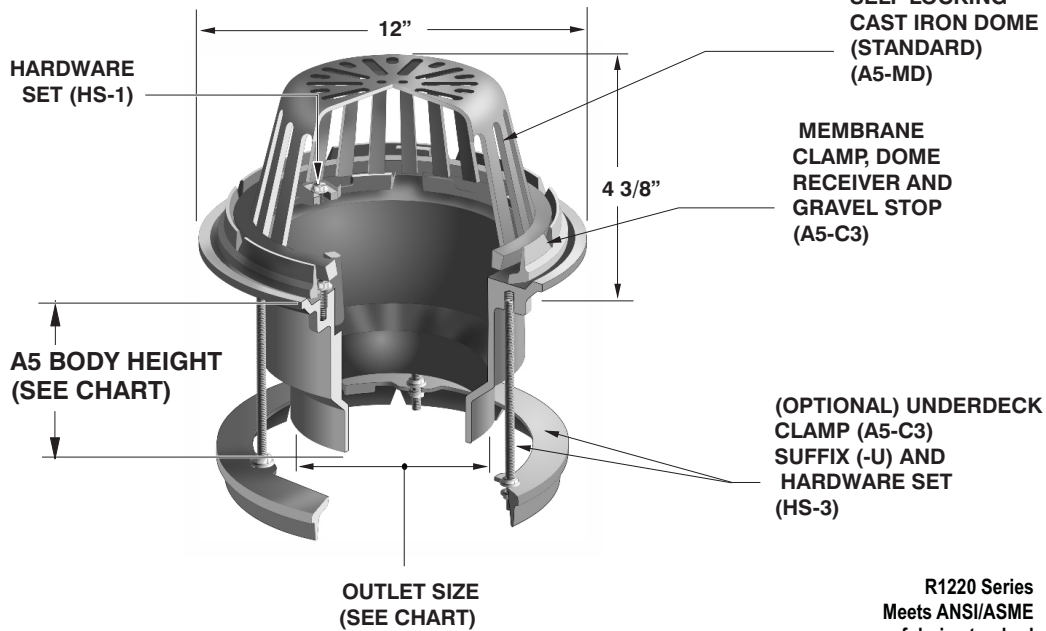
R1220

MEDIUM SUMP ROOF DRAIN

Specification: MIFAB® Series R1220 lacquered cast iron medium sump roof drain with 12" diameter anchor flange, large cast iron waterproofing membrane clamp ring with integral gravel stop, and standard self-locking cast iron dome strainer with a free area of 71.50 square inches.

Function: Used in any type of flat roofs where a medium sized drain is required. Wide anchor flange and membrane clamp with deep groove design provides for secure grip of membrane and roof flashing materials.

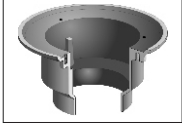
71.50 IN² FREE AREA DOME



Metric equivalents see chart below. (Dimension) Denotes Millimetres

R1220 Series
Meets ANSI/ASME
roof drain standard
A112.6.4-2003

PARTS:



A5 BODY



A5-MD



A5-C3



HS-1

PIPE SIZE	BODY HEIGHT	
	NO HUB (STANDARD)	INSIDE CAULK (X)
2" (51)	6.45" (161)	6.575 (167)
3" (76)	6.45" (161)	6.575 (167)
4" (102)	6.45" (161)	6.575 (167)
6" (152)	6.45" (161)	6.575 (167)

SUFFIX

- 6 Vandal Proof dome
- 11 Acid resistant epoxy coating
- 12 Galvanized metal dome
- 12A Galvanized body and membrane clamp
- 13 Galvanized body, membrane clamp and dome
- 83 Stainless steel mesh screen over dome
- ARRA ARRA(Stimulus Act)compliant product
- B Sump receiver
- BA Buy American Act Compliant product
- C Secondary clamp
- E Adjustable extension
- EG Galvanized adjustable extension
- G Stainless steel ballast guard
- HC Adjustable ballast guard with secondary clamp

SUFFIX

- JC Ballast guard with secondary clamp
- PA Pennsylvania Steel Act compliant product
- R 2" external water dam
- U Underdeck clamp
- U3 Underdeck clamp with cutaway side
- W-1 Waterproofing flange
- X Inside caulk outlet (2",3",4",6")
- XJ Vertical expansion joint (see R1900)
- Z Extended wide elastomeric flange (20" diameter x 1/4" thick)

Job Name: _____
Section No: _____
Schedule No: _____

Page No: _____
Contractor: _____
Purchase Order No: _____