

Location: \_\_\_\_\_

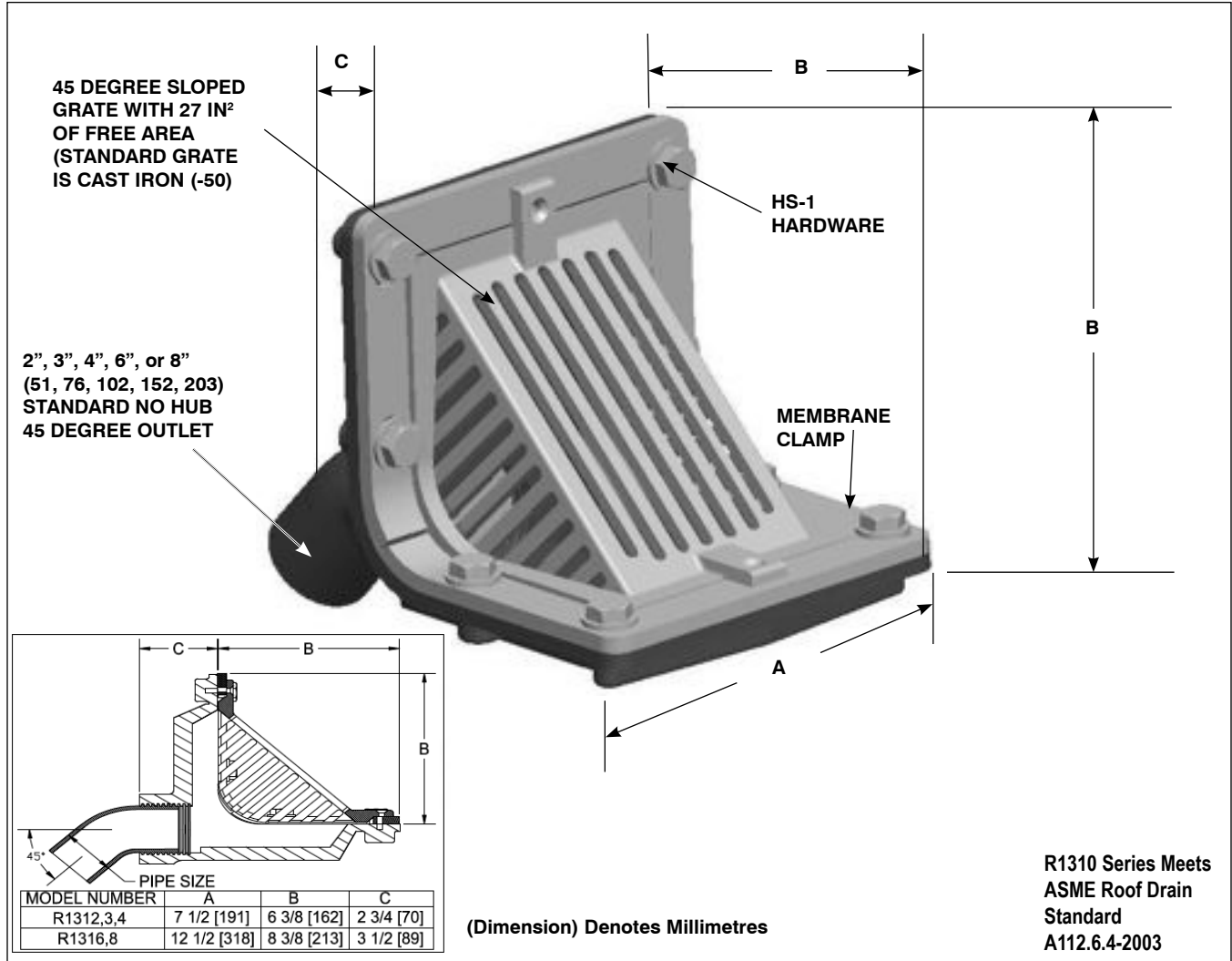


**R1310**

**SCUPPER DRAIN WITH ANGLE GRATE AND 45 DEGREE NO HUB OUTLET**

**Specification:** MIFAB R1310 lacquered cast iron scupper drain with 45 degree no hub outlet, membrane clamp and sloped grate (specify cast iron (Suffix -50) or nickel bronze (Suffix -1)).

**Function:** To provide drainage from a roof surface where the roof and parapet meet. The angled grate prevents debris from blocking the drainage openings. Reverse outlet for 90 degree outlet connection (R1300).



**SUFFIX OPTIONAL VARIATIONS**

- 1 Nickel bronze frame and grate
- 6 Vandal proof grate
- 11 Acid resistant epoxy finish
- 13 All galvanized
- 50 Cast iron frame and grate
- 83 Stainless steel mesh screen over grate
- (Standard) No Hub outlet (2", 3", 4", 6", or 8")
- BA Buy American Act compliant product
- PA Pennsylvania Steel Act compliant product

Job Name: \_\_\_\_\_  
 Section No: \_\_\_\_\_  
 Schedule No: \_\_\_\_\_

Page No: \_\_\_\_\_  
 Contract: \_\_\_\_\_  
 Purchase Order No: \_\_\_\_\_