

Location: _____

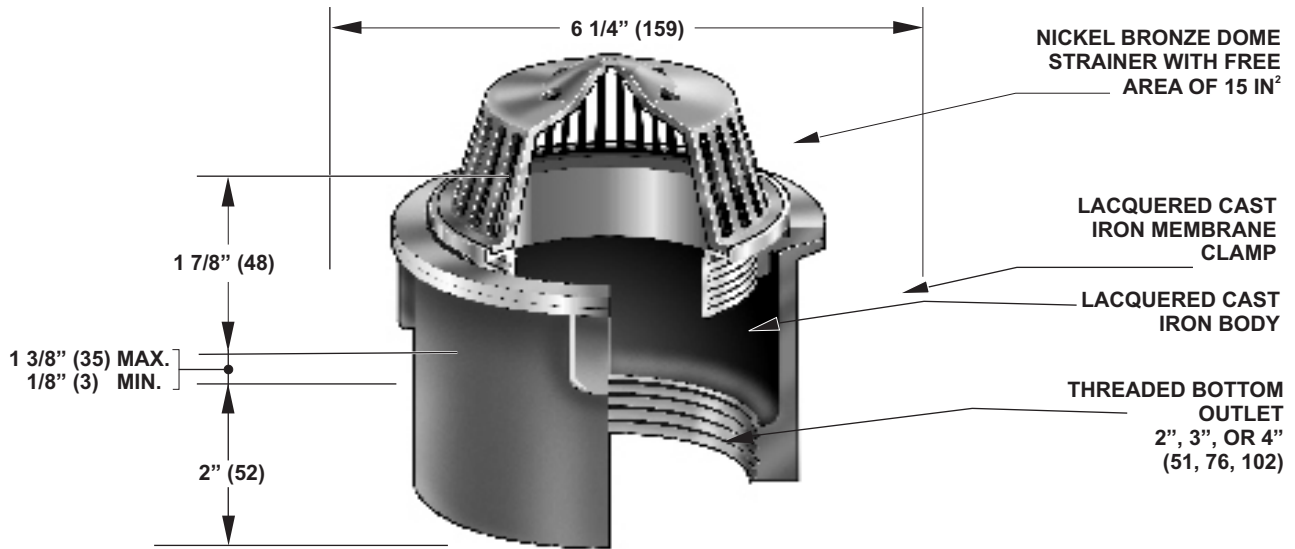


R1400

**BALCONY DRAIN
WITH BOTTOM OUTLET**

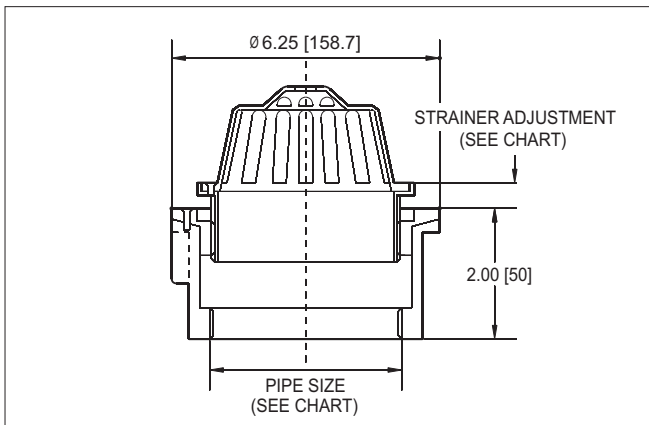
Specification: MIFAB® R1400 lacquered cast iron balcony drain with adjustable nickel bronze dome strainer, membrane clamp ring, cast iron body and threaded bottom outlet.

Function: Used in balconies, cornices, parapets and other small overhanging areas to drain rain water. Membrane clamp is bolted to body to ensure easy removal of strainer without impacting membrane clamp and water proofing membrane.



Metric equivalents see chart below. (Dimension) Denotes Millimetres

**R1400 Series Meets
ASME Roof Drain
Standard
A112.6.4-2003**



- SUFFIX** **OPTIONAL VARIATIONS:**
- 1 Nickel Bronze strainer (Standard)
 - 3 Stainless steel dome strainer
 - 3-14 Stainless steel flat grate
 - 6 Vandal proof dome
 - 11 Acid resistant epoxy finish
 - 13 Galvanized body and membrane clamp
 - 14 Flat grate

- SUFFIX**
- 50 Cast Iron strainer
 - 83 Stainless steel mesh screen over dome
 - (Standard) Threaded outlet (2",3",4")
 - ARRA ARRA (Stimulus Act) compliant product
 - BA Buy American Act compliant product
 - HM High dome (with DD extension)
 - PA Pennsylvania Steel Act compliant product

Job Name: _____
Section No: _____
Schedule No: _____

Page No: _____
Contractor: _____
Purchase Order No: _____

MIFAB reserves the right to make changes in material and design without formal notice and obligation.

USA: 1-800-465-2736 www.mifab.com CAN: 1-800-387-3880