

Location: \_\_\_\_\_

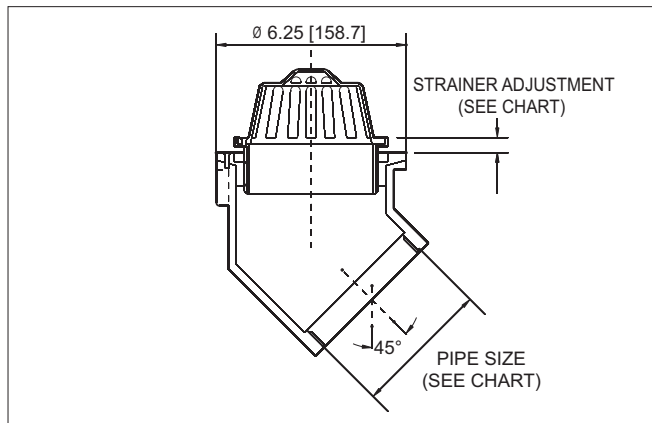
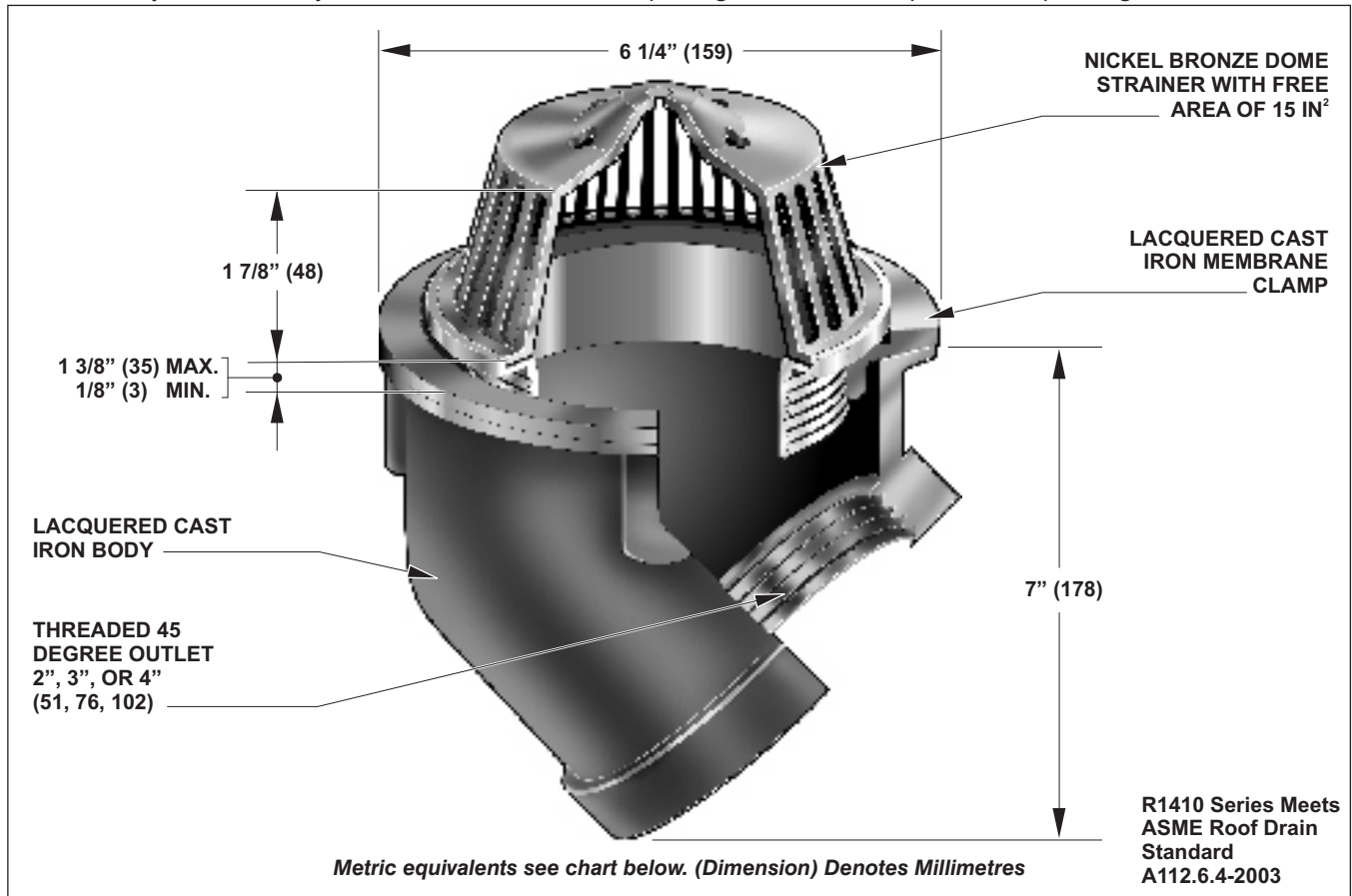


**R1410**

**BALCONY DRAIN  
WITH 45 DEGREE OUTLET**

**Specification:** MIFAB® R1410 lacquered cast iron balcony drain with adjustable nickel bronze dome strainer, membrane clamp ring, cast iron body and threaded 45 degree outlet.

**Function:** Used in balconies, cornices, parapets and other small overhanging areas to drain rain water. Membrane clamp is bolted to body to ensure easy removal of strainer without impacting membrane clamp and water proofing membrane.



- SUFFIX**    **OPTIONAL VARIATIONS:**
- 1    Nickel Bronze strainer (Standard)
  - 3    Stainless steel dome strainer
  - 3-14    Stainless steel flat grate
  - 6    Vandal proof dome
  - 11    Acid resistant epoxy finish
  - 13    Galvanized body and membrane clamp
  - 14    Flat grate

- SUFFIX**
- 50    Cast Iron strainer
  - 83    Stainless steel mesh screen over dome
  - (Standard)    Threaded outlet (2",3",4")
  - ARRA    ARRA (Stimulus Act) compliant product
  - BA    Buy American Act compliant product
  - HM    High dome (with DD extension)
  - PA    Pennsylvania Steel Act compliant product

Job Name: \_\_\_\_\_ Page No: \_\_\_\_\_

Section No: \_\_\_\_\_ Contractor: \_\_\_\_\_

Schedule No: \_\_\_\_\_ Purchase Order No: \_\_\_\_\_

MIFAB reserves the right to make changes in material and design without formal notice and obligation.

USA: 1-800-465-2736 www.mifab.com CAN: 1-800-387-3880