

Location: _____

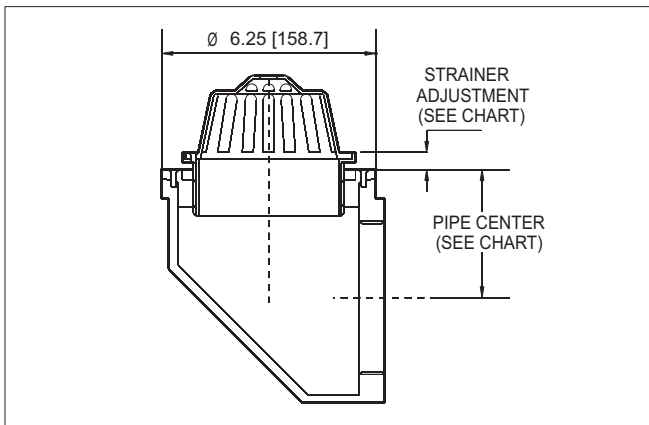
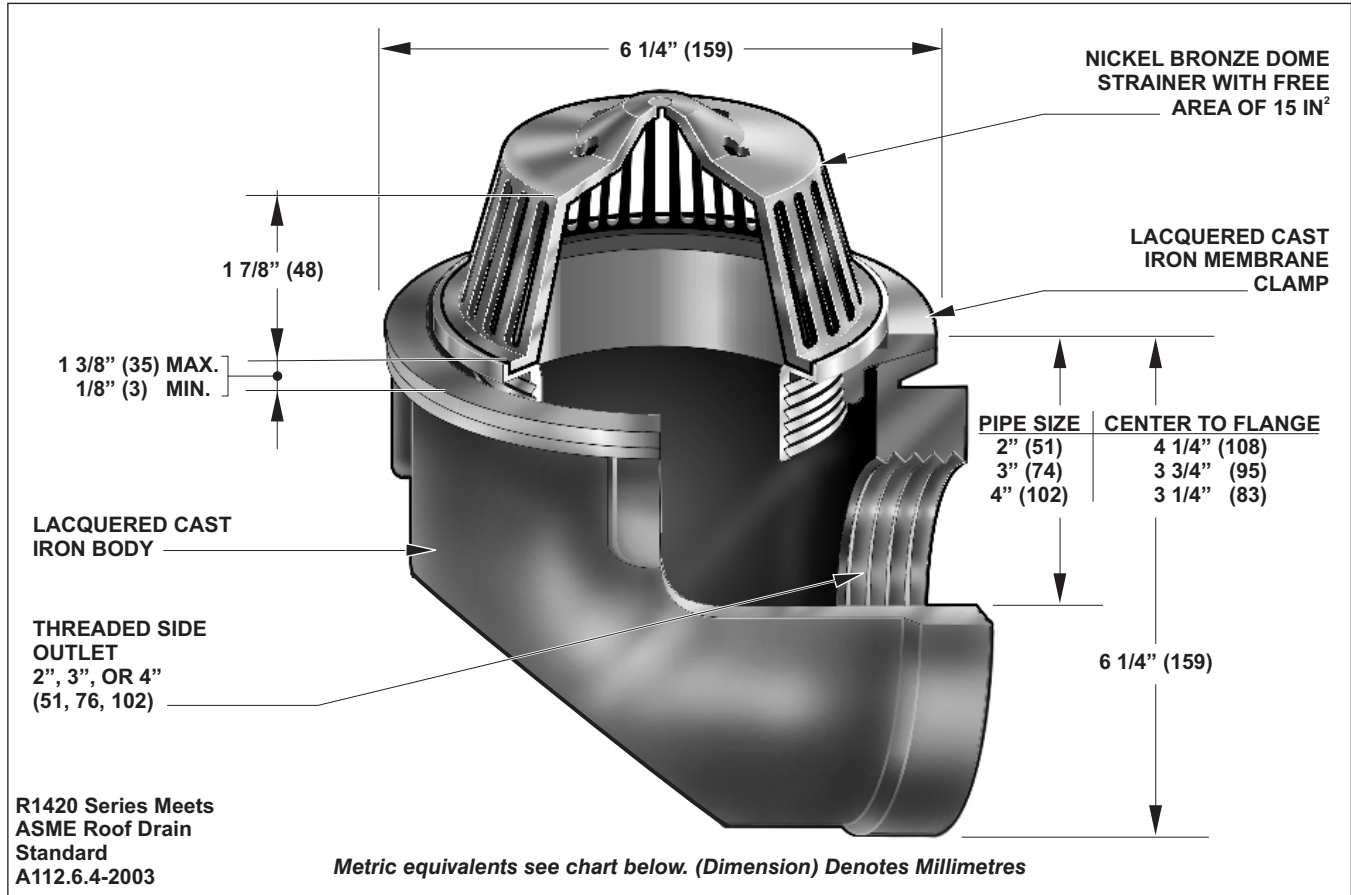


R1420

**BALCONY DRAIN
WITH 90 DEGREE OUTLET**

Specification: MIFAB® R1420 lacquered cast iron balcony drain with adjustable nickel bronze dome strainer, membrane clamp ring, cast iron body and threaded side outlet.

Function: Used in balconies, cornices, parapets and other small overhanging areas to drain rain water. Membrane clamp is bolted to body to ensure easy removal of strainer without impacting membrane clamp and water proofing membrane.



- SUFFIX**
- 1 Nickel Bronze strainer (Standard)
 - 3 Stainless steel dome strainer
 - 3-14 Stainless steel flat grate
 - 6 Vandal proof dome
 - 11 Acid resistant epoxy finish
 - 13 Galvanized body and membrane clamp
 - 14 Flat grate
- OPTIONAL VARIATIONS:**

- SUFFIX**
- 50 Cast Iron strainer
 - 83 Stainless steel mesh screen over dome
 - (Standard) Threaded outlet (2",3",4")
 - ARRA ARRA (Stimulus Act) compliant product
 - BA Buy American Act compliant product
 - HM High dome (with DD extension)
 - PA Pennsylvania Steel Act compliant product

Job Name: _____ Page No: _____

Section No: _____ Contractor: _____

Schedule No: _____ Purchase Order No: _____

MIFAB reserves the right to make changes in material and design without formal notice and obligation.

USA: 1-800-465-2736 www.mifab.com CAN: 1-800-387-3880