

Location: _____

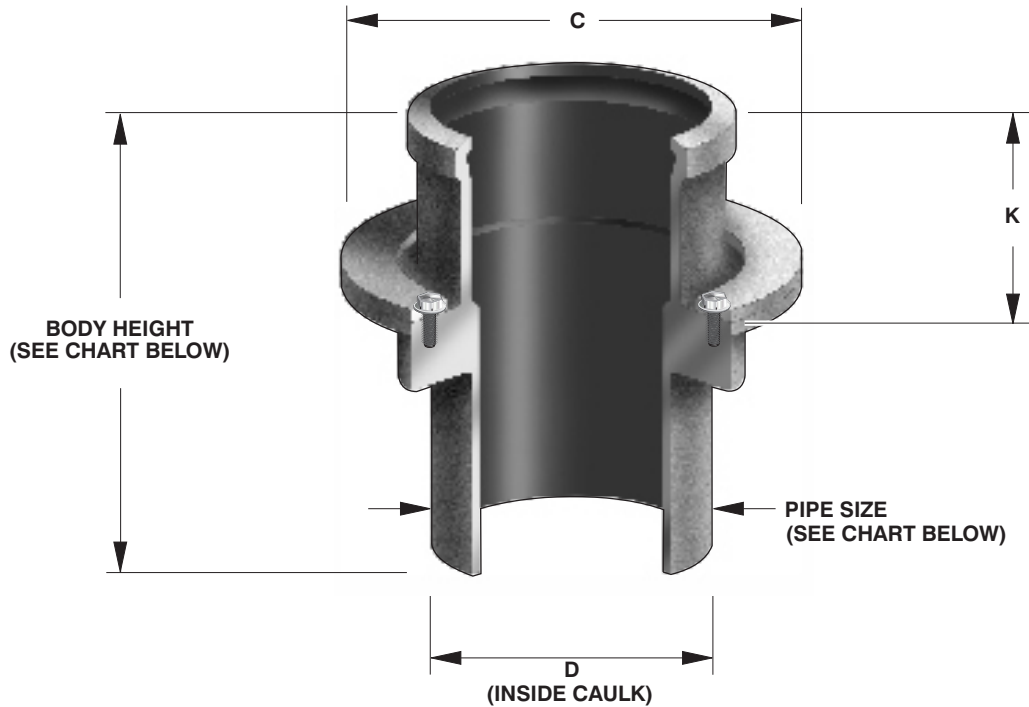


R1850

VENT STACK FLASHING SLEEVE

Specification: MIFAB® Series R1850 lacquered cast iron sleeve with membrane clamp.

Function: R1850 lacquered cast iron sleeve is used as a counter flashing sleeve where roofing membranes are terminated at the vent stack protruding through the roof.



Metric equivalents see chart below. (Dimension) Denotes Millimetres

Note: The R1854 is made out of lacquered cast iron material. All other sizes are made from fabricated 14 gauge galvanized steel that is powder, epoxy coated with an electro-static application. These models are standard with an acid resistant epoxy finish.

MODEL NO.	PIPE SIZE	BODY HEIGHT	C	D	K	WEIGHT Lbs.
R1851.5	1 1/2" (38)	8" (203)	6 1/2" (165)	2 5/8" (67)	3" (76)	12
R1852	2" (51)	8 1/8" (206)	6 1/2" (165)	3 1/8" (79)	3" (76)	11
R1853	3" (76)	8 1/8" (206)	8 1/2" (216)	4 1/4" (108)	3 1/8" (79)	13
R1854	4" (102)	8 1/2" (216)	8 1/2" (216)	5 1/4" (133)	3 1/8" (79)	18
R1855	5" (127)	8 1/2" (216)	9 1/2" (241)	6 1/2" (165)	2 1/2" (64)	20
R1856	6" (152)	8 1/8" (206)	10 1/2" (216)	7 1/2" (190)	3 1/8" (79)	26
R1858	8" (203)	8 3/4" (222)	14 1/2" (368)	9 3/4" (248)	2 3/4" (70)	52
R1850-10	10" (254)	8 3/4" (222)	16 1/2" (419)	11 5/8" (295)	2 3/4" (70)	45
R1850-12	12" (305)	8 3/4" (222)	18 1/2" (470)	13 5/8" (346)	2 3/4" (70)	60

SUFFIX
 -13 Galvanized cast iron
 -ARRA ARRA (Stimulus Act) compliant product

SUFFIX
 -BA Buy American Act compliant product
 -PA Pennsylvania Steel Act compliant product

Job Name: _____ Page No: _____
 Section No: _____ Contractor: _____
 Schedule No: _____ Purchase Order No: _____

MIFAB reserves the right to make changes in material and design without formal notice and obligation.

USA: 1-800-465-2736 www.mifab.com CAN: 1-800-387-3880