

Location: _____

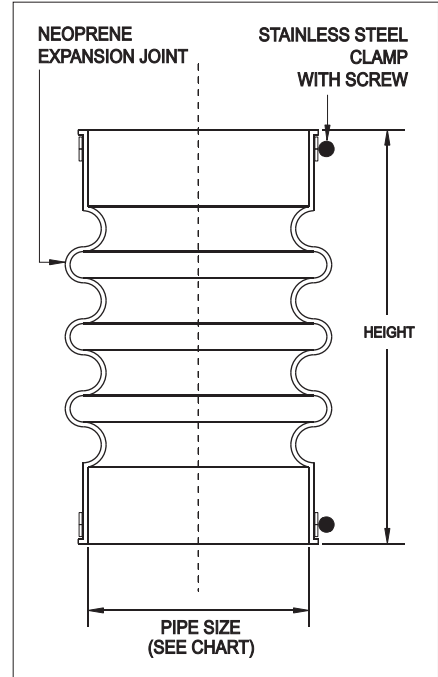
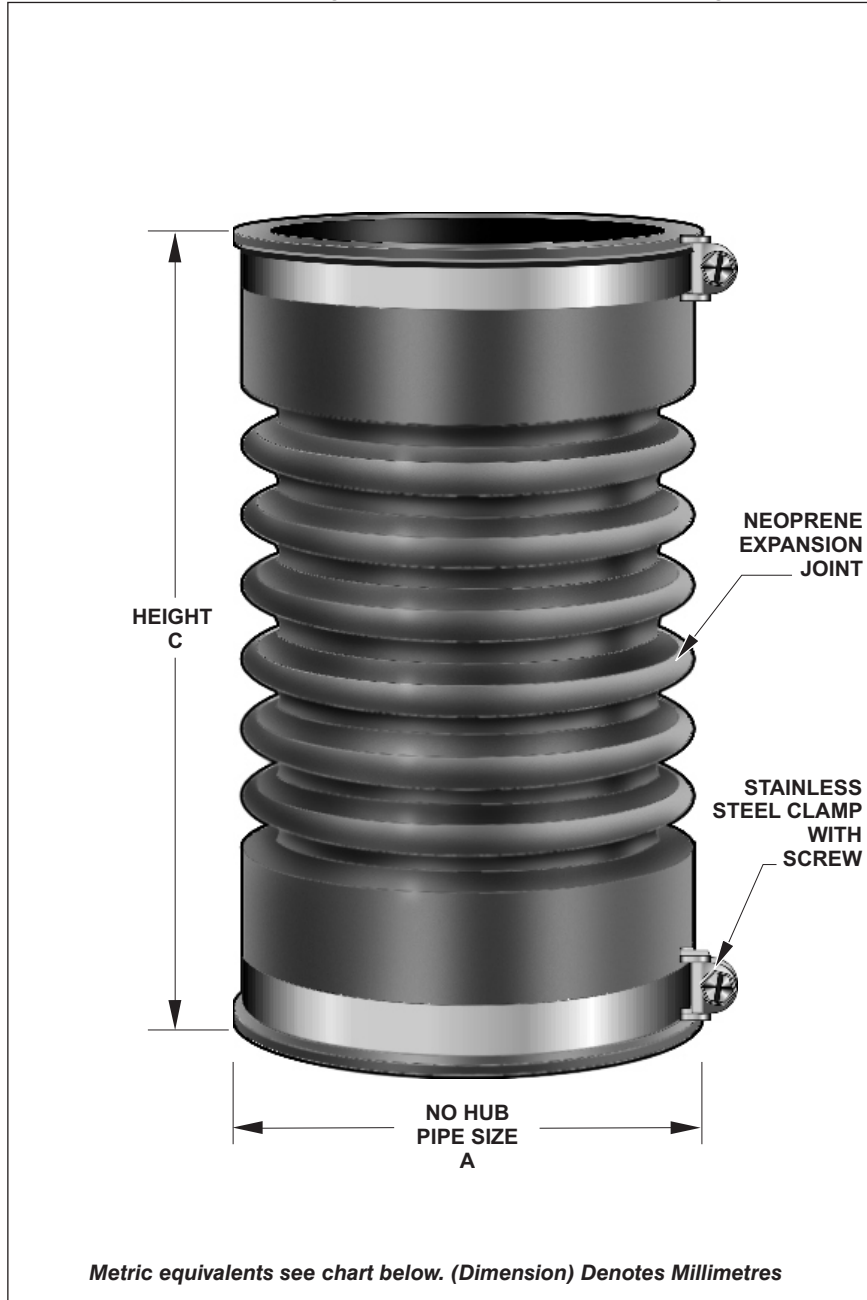


R1900

VERTICAL EXPANSION JOINT

Specification: MIFAB® Series R1900 neoprene vertical expansion joint with stainless steel no hub clamps.

Function: Used to reduce the expansion and contraction movements in all types of vertical leaders, pipes, stacks and vents or soil lines in order to prevent damage to this material and to the building.



Metric equivalents see chart below. (Dimension) Denotes Millimetres

Note: Effective temperature range is from 20°F to 122°F.

| MODEL NO. | PIPE SIZE A | HEIGHT C |
|-----------|-------------|--------------|
| R1902 | 2" (51) | 7 1/8" (178) |
| R1903 | 3" (76) | 8 1/8" (203) |
| R1904 | 4" (102) | 8 5/8" (216) |
| R1906 | 6" (152) | 8 5/8" (216) |
| R1908 | 8" (203) | 11" (279) |

SUFFIX
-ARRA
-BA

OPTIONAL VARIATIONS:
ARRA (Stimulus Act) compliant product
Buy American Act compliant product

SUFFIX
-PA

Pennsylvania Steel Act compliant product

Job Name: _____ Page No: _____
 Section No: _____ Contractor: _____
 Schedule No: _____ Purchase Order No: _____

MIFAB reserves the right to make changes in material and design without formal notice and obligation.

USA: 1-800-465-2736 www.mifab.com CAN: 1-800-387-3880