

Location: _____

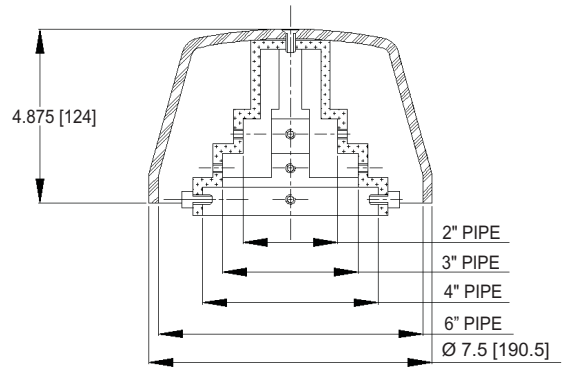
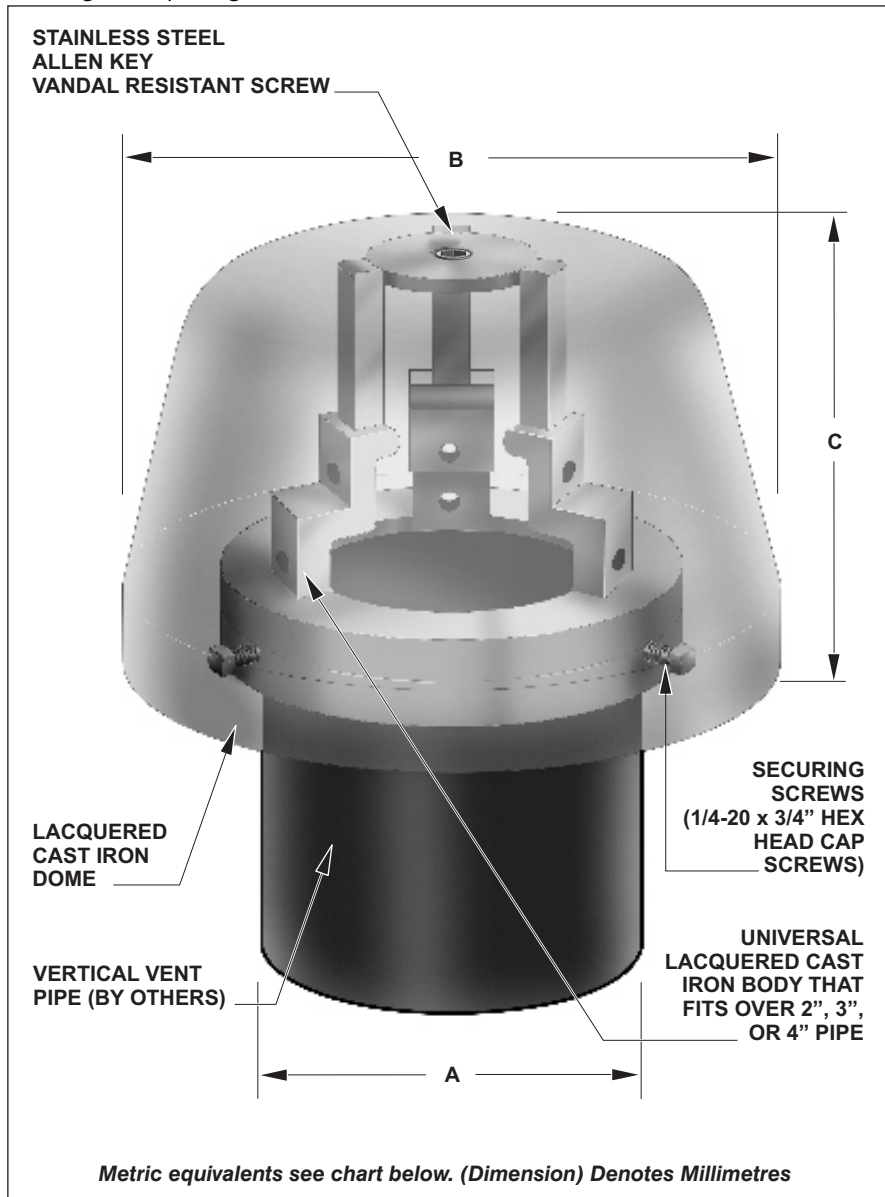


R1930

VANDAL PROOF CAST IRON VENT CAP

Specification: MIFAB® Series R1930 cast iron vent cap with lacquered cast iron body and dome secured to the body with an allen key screw.

Function: Used with all plumbing vents that terminate above the roof. Vandal proof dome and dome design prevents debris from entering vent opening.



Metric equivalents see chart below. (Dimension) Denotes Millimetres

Note: Universal body assembly fits over 2", 3" or 4" vertical vent pipe. One size serves all three different outlet sizes. For 6" vertical vent pipe, discard the internal "step" piece and use the three securing screws to assemble the cast iron vent cap to the top of the 6" vertical vent pipe.

MODEL NO.	PIPE SIZE A	WIDTH B	HEIGHT C
R1932	2" (51)	7 1/2" (190)	4 7/8" (124)
R1933	3" (76)	7 1/2" (190)	4 7/8" (124)
R1934	4" (102)	7 1/2" (190)	4 7/8" (124)
R1936	6" (152)	7 1/2" (190)	4 7/8" (124)

SUFFIX **OPTIONAL VARIATIONS:**
 -13 All galvanized
 -ARRA ARRA (Stimulus Act) compliant product

SUFFIX
 -BA Buy American Act compliant product
 -PA Pennsylvania Steel Act compliant product

Job Name: _____ Page No: _____
 Section No: _____ Contractor: _____
 Schedule No: _____ Purchase Order No: _____

MIFAB reserves the right to make changes in material and design without formal notice and obligation.

USA: 1-800-465-2736 www.mifab.com CAN: 1-800-387-3880