

Location: _____

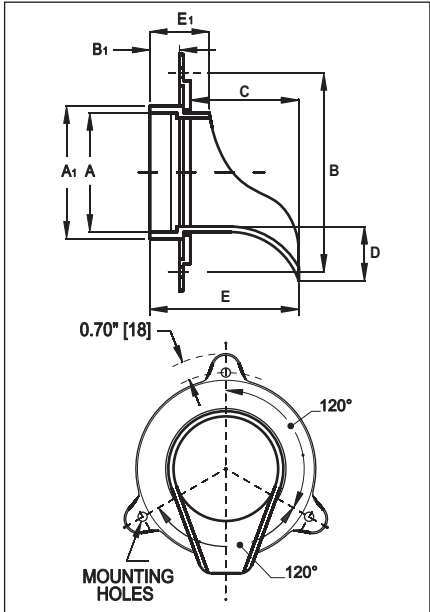
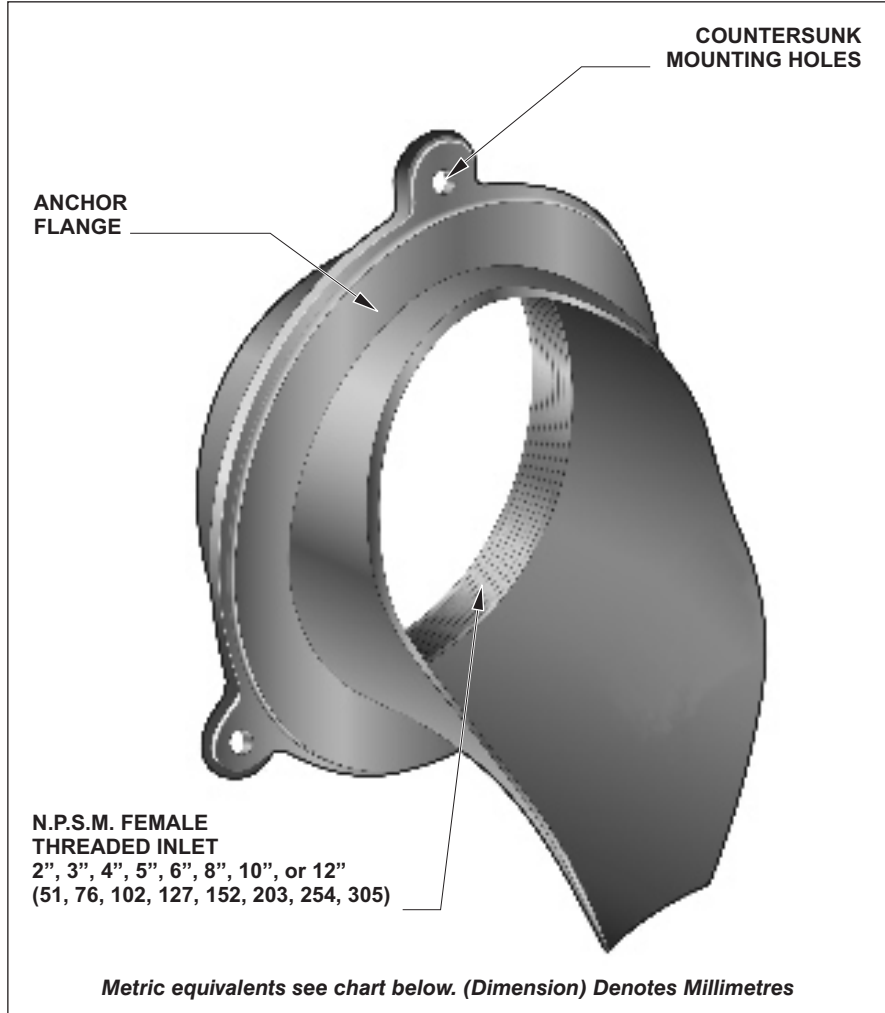


R1940

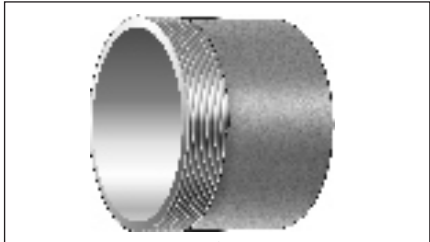
DOWNSPOUT NOZZLE

Specification: MIFAB® Series R1940 downspout nozzle with nickel bronze body and threaded outlet, wall anchor flange with countersunk holes and decorative outlet nozzle.

Function: Used as a parapet overflow or at the base of a wall where a concealed leader discharges rainwater to the ground. The decorative outlet nozzle directs water away from the wall to prevent unsightly staining. The wall anchor flange covers the rough opening and anchors the body.



For No Hub connection, use MI-850 Series No Hub to male threaded adapter



SIZE			LENGTH		
2"	6"	12"	2 3/8"	4 3/8"	7"
3"	8"		3 5/8"	5"	
4"	10"		3 1/2"	5"	

MODEL NO	PIPE SIZE A	A ₁	B	B ₁	C	D	E	E ₁
R1942*	2" (51)	3.90"(100)	6.40"(163)	1.00"(25)	4.50"(114)	2.00" (51)	5.75" (146)	2.10" (53)
R1943	3" (76)	3.90"(100)	6.40"(163)	1.00"(25)	4.50"(114)	2.00" (51)	5.75" (146)	2.10" (53)
R1944	4" (102)	4.90"(124)	7.40"(188)	1.15"(29)	4.00"(102)	2.00" (51)	5.50" (140)	2.10" (53)
R1945	5" (127)	7.10"(180)	9.40"(239)	1.15"(29)	4.50"(114)	2.50" (64)	5.75" (146)	2.10" (53)
R1946	6" (152)	7.10"(180)	9.40"(239)	1.15"(29)	4.50"(114)	2.50" (64)	5.75" (146)	2.10" (53)
R1948	8" (203)	9.10"(231)	11.40"(290)	1.15"(29)	4.50"(114)	2.50" (64)	5.75" (146)	2.65" (67)
R1950	10" (254)	11.20"(284)	13.40"(340)	1.35"(34)	4.50"(114)	2.50" (64)	5.75" (146)	2.65" (67)
R1952	12" (305)	13.10"(334)	14.63"(372)	1.35"(34)	4.50"(114)	2.50" (64)	6.56" (167)	2.65" (67)

*R1942 in all finishes is available only as a R1943 with an eccentric reducer bushing (MI-800-2)

SUFFIX OPTIONAL VARIATIONS:

- | | |
|--|--|
| -1 Cast Nickel bronze (Standard) | -84 Stainless steel hinged perforated cover |
| -2 Polished bronze | -ARRA ARRA (Stimulus Act) compliant product |
| -2RB Rough bronze | -BA Buy American Act compliant product |
| -3 Cast stainless steel (Type 304, 2" through 6" only) | -PA Pennsylvania Steel Act compliant product |
| -83 Stainless steel screen | |

Job Name: _____	Page No: _____
Section No: _____	Contractor: _____
Schedule No: _____	Purchase Order No: _____

MIFAB reserves the right to make changes in material and design without formal notice and obligation.

USA: 1-800-465-2736 www.mifab.com CAN: 1-800-387-3880