

Location: \_\_\_\_\_

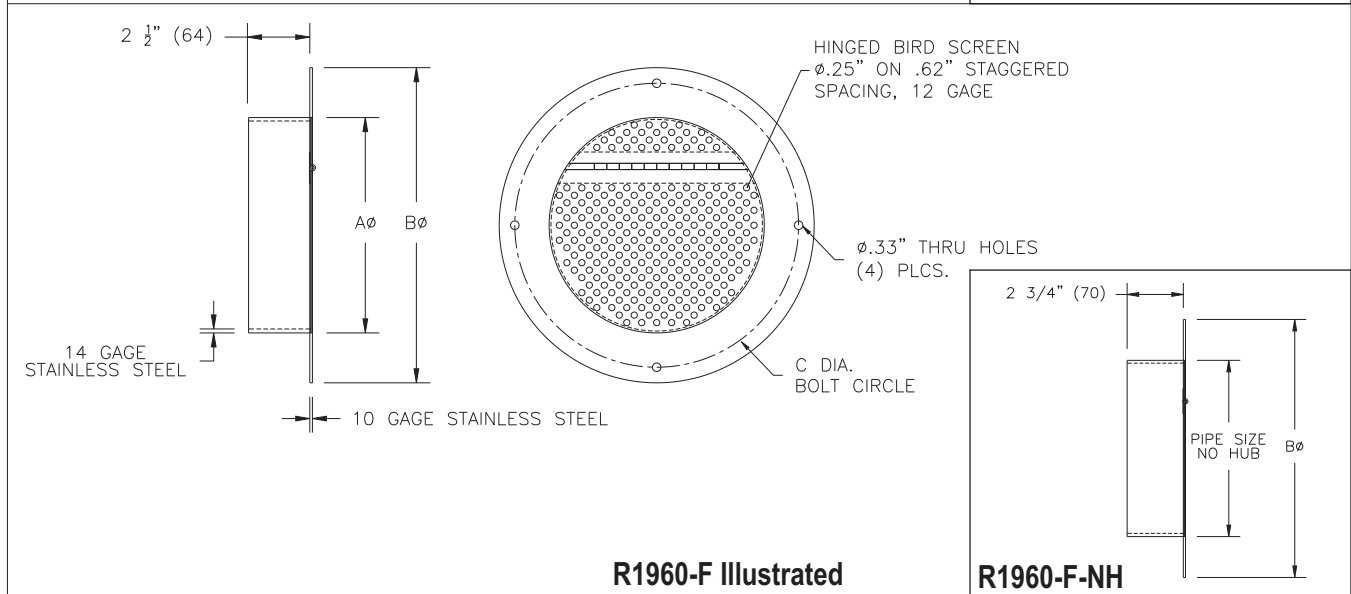
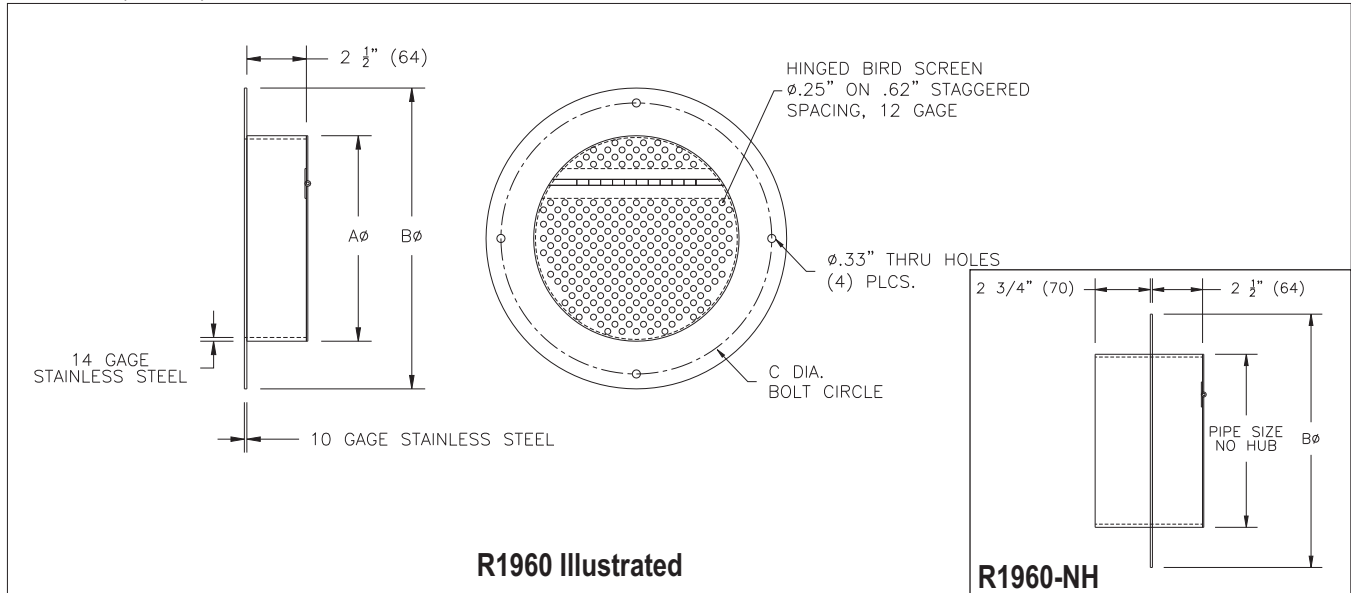


# R1960

## DOWNPOUT NOZZLE WITH PERFORATED COVER

**Specification:** MIFAB® Series R1960 fabricated Type 304 stainless steel downspout nozzle with hinged perforated bird screen cover in standard and flush models (Suffix -F). Are made to receive PVC, ABS or cast iron pipe inside the "A" dimension. The R1960 models "sleeve over the pipe sticking out of the wall. The R1960-F models sleeve over the pipe and are flush with the wall.

**Function:** Used as a downspout cover on a wall where an overflow roof drain lead discharges rainwater to the ground. Made of round fabricated stainless steel frame with a fabricated securely welded perforated stainless steel hinged bird screen strainer. This Series also offers a "flush to the wall" model (Suffix -F) as well.



PIPE SIZE	"A"	"B"	"C"
3" (76)	4 1/4" (108)	7 3/4" (197)	6" (150)
4" (102)	5 1/4" (133)	8 3/4" (222)	7 1/16" (181)
6" (152)	7 3/8" (187)	10 7/8" (276)	9" (230)
8" (203)	9 3/8" (238)	12 7/8" (327)	11 1/4" (285)
10" (254)	11 1/2" (292)	15" (381)	13 1/2" (345)
12" (305)	13 1/2" (343)	17" (432)	15 1/2" (395)
15" (381)	16 5/8" (422)	20 1/16" (511)	18 1/2" (470)

- SUFFIX**
- 6
  - ARRA
  - BA
  - F
  - NH
  - PA

- OPTIONAL VARIATIONS:**
- Vandal Proof
  - ARRA (Stimulus Act) compliant product
  - Buy American Act compliant product
  - Flush mounting design
  - No hub outlet
  - Pennsylvania Steel Act compliant product

Job Name: \_\_\_\_\_ Page No: \_\_\_\_\_  
 Section No: \_\_\_\_\_ Contractor: \_\_\_\_\_  
 Schedule No: \_\_\_\_\_ Purchase Order No: \_\_\_\_\_